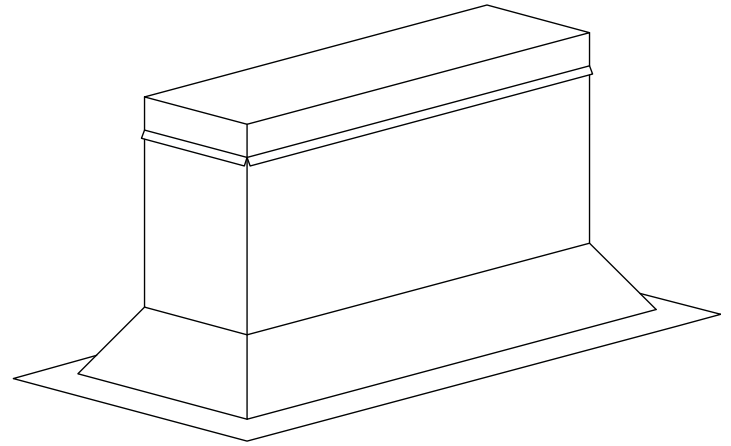




McDaniel Metals, Inc
 1318 Buschong
 Houston, TX 77039
 281 987 8400
 281 987 9494 fax
 www.mcdanielmetals.com

Canted Equipment Stand



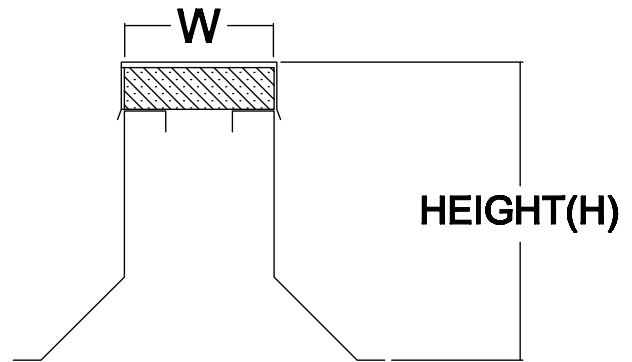
Customer	
Ship To	
Project	
P O Number	
Approved By	

Standard Features

- 8 Inches High
- Wood Nailer
- 3 Inch Cant Strip
- 18 Gauge Galvanized Construction
- Continuous Welded Seams
- 18 Gauge Galvanized Cap
- Solid Bottom
- Internal Supports Where Necessary

Options

- Stainless Steel Caps
- Special Height
- Aluminum Construction
- Heavy Gauge Galvanized Construction
- Stainless Steel Construction
- Treated Wood Nailer



SPECIFICATIONS AND DIMENSIONS

QTY	Length	W	Height	Material	TAG#	Options