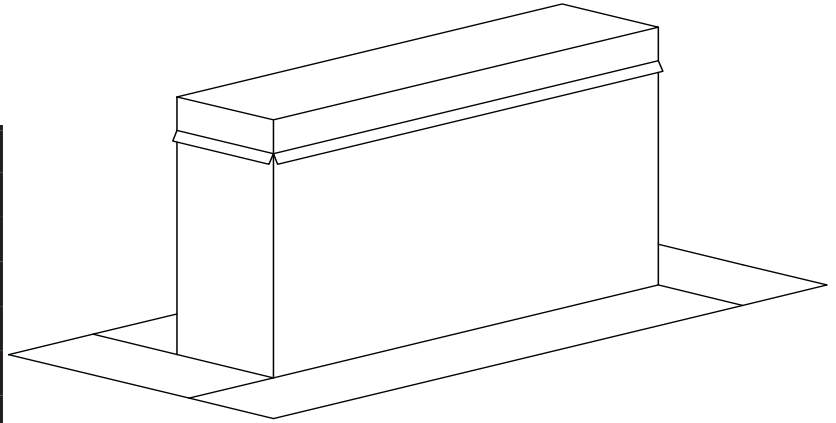




McDaniel Metals, Inc
 1318 Buschong
 Houston, TX 77039
 281 987 8400
 281 987 9494 fax
 www.mcdanielmetals.com

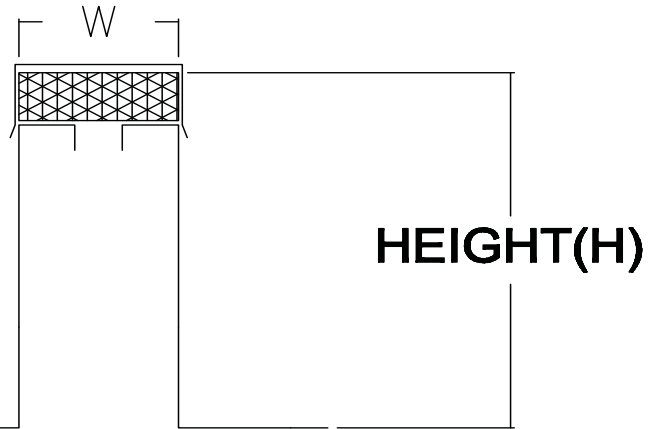
Self-Flashing Equipment Stand



Customer	
Ship To	
Project	
P O Number	
Approved By	

Standard Features

- 8 Inches High
- Wood Nailer
- 3 1/2" Flanges
- 18 Gauge Galvanized Construction
- Continuous Welded Seams
- 18 Gauge Galvanized Cap
- Solid Bottom
- Internal Supports Where Necessary



Options

- Extended Flanges
- Special Height
- Stainless Steel Caps
- Heavy Gauge Galvanized Construction
- Stainless Steel Construction
- Aluminum Construction
- Treated Wood Nailer
- Pitched

SPECIFICATIONS AND DIMENSIONS

QTY	Length	W	Height	Material	TAG#	Options