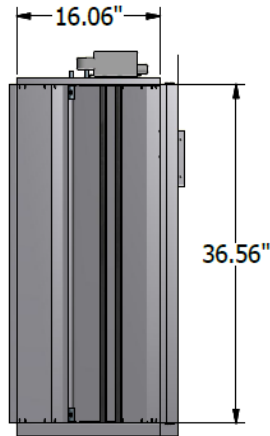
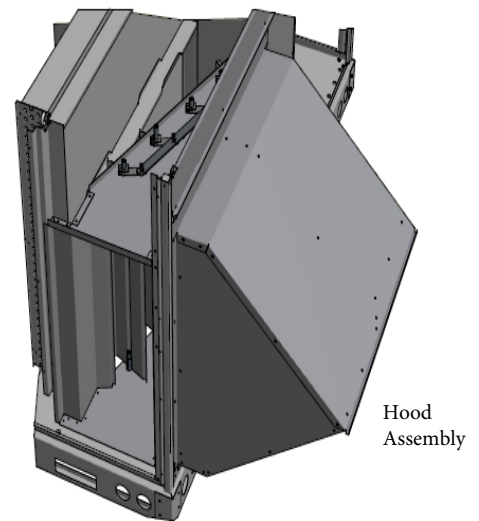


Internal Damper



Top of unit not shown in this view. Unit top **does not** need to be removed for installation.



Horizontal Return
Air Opening

FEATURES

- Fully modulating
- Integrated barometric relief
- Hoods painted to match Daikin unit
- Honeywell Jade economizer control
- Single adjustable enthalpy convertible to dual enthalpy
- Adjustable minimum fresh air
- 65 Pounds