

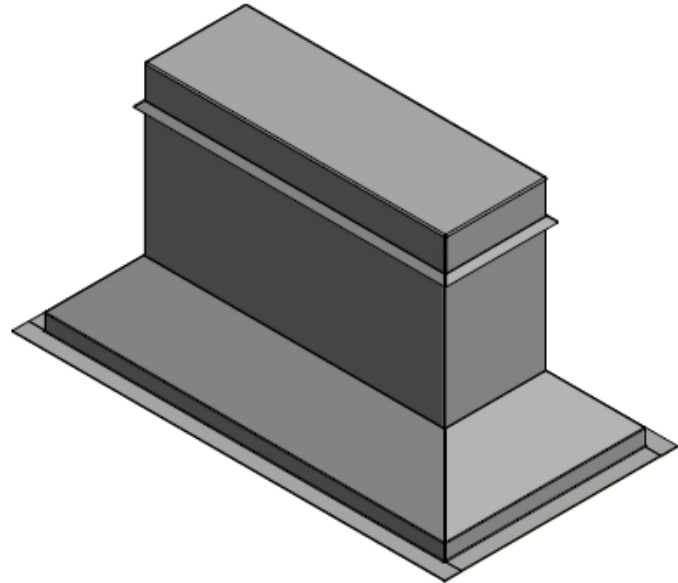
McDaniel Metals

281-987-8400 • 281-987-9494 (fax)
 1318 Buschong, Houston, TX 77039
 www.mcdanielmetals.com

Raised Cant Equipment Stand



Customer	
Ship To	
Project	
P O Number	
Approved By	

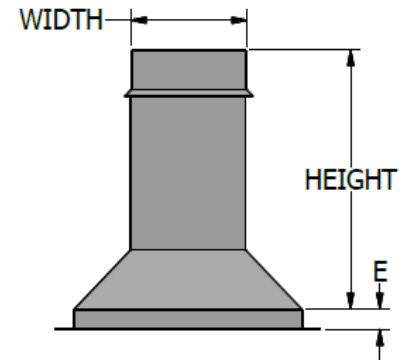
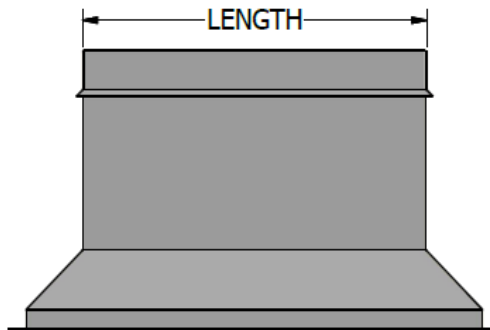


STANDARD FEATURES

- 12 Inches Tall
- Wood Nailer
- 3 Inch Cant Strip
- 18 Gauge Galvanized Construction
- Continuous Welded Seams
- 18 Gauge Galvanized Cap
- Solid Bottom
- Internal Supports Where Necessary
- 4 Inches Wide

Options

- Special Height
- Treated Wood Nailer
- Aluminum Construction
- Stainless Steel Construction
- Heavy Gauge Galvanized Construction
- Stainless Steel Caps
- Special Width



Specifications and Dimensions							
Qty	Length	Width	E	Height	Material	TAG#	Options