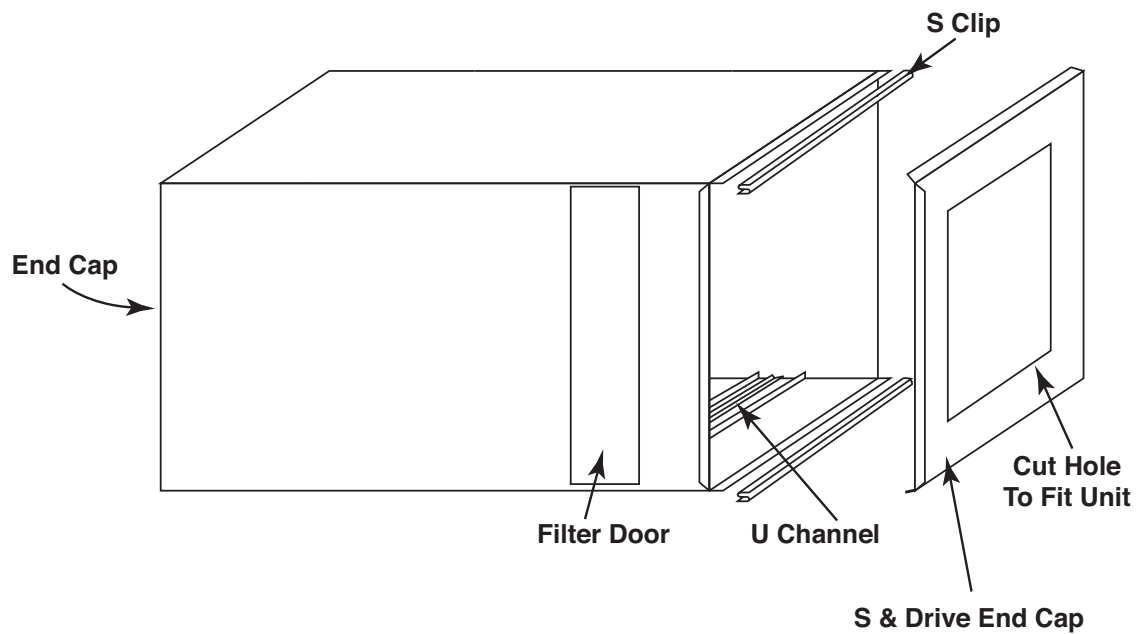




281-987-8400 • 281-987-9494 (fax)
1318 Buschong, Houston, TX 77039
www.mcdanielmetals.com



1. Cut hole in S & drive endcap to fit unit return air and attach to unit
2. Attach plenum to S & drive end cap using S's & drives provided
3. Install desired filter and door

Note: For 4" filter, remove U Channel Spacers.

Available in 2' or 3' lengths
Fits most furnaces & air handlers through 5 ton.