

Figure 1



Figure 2

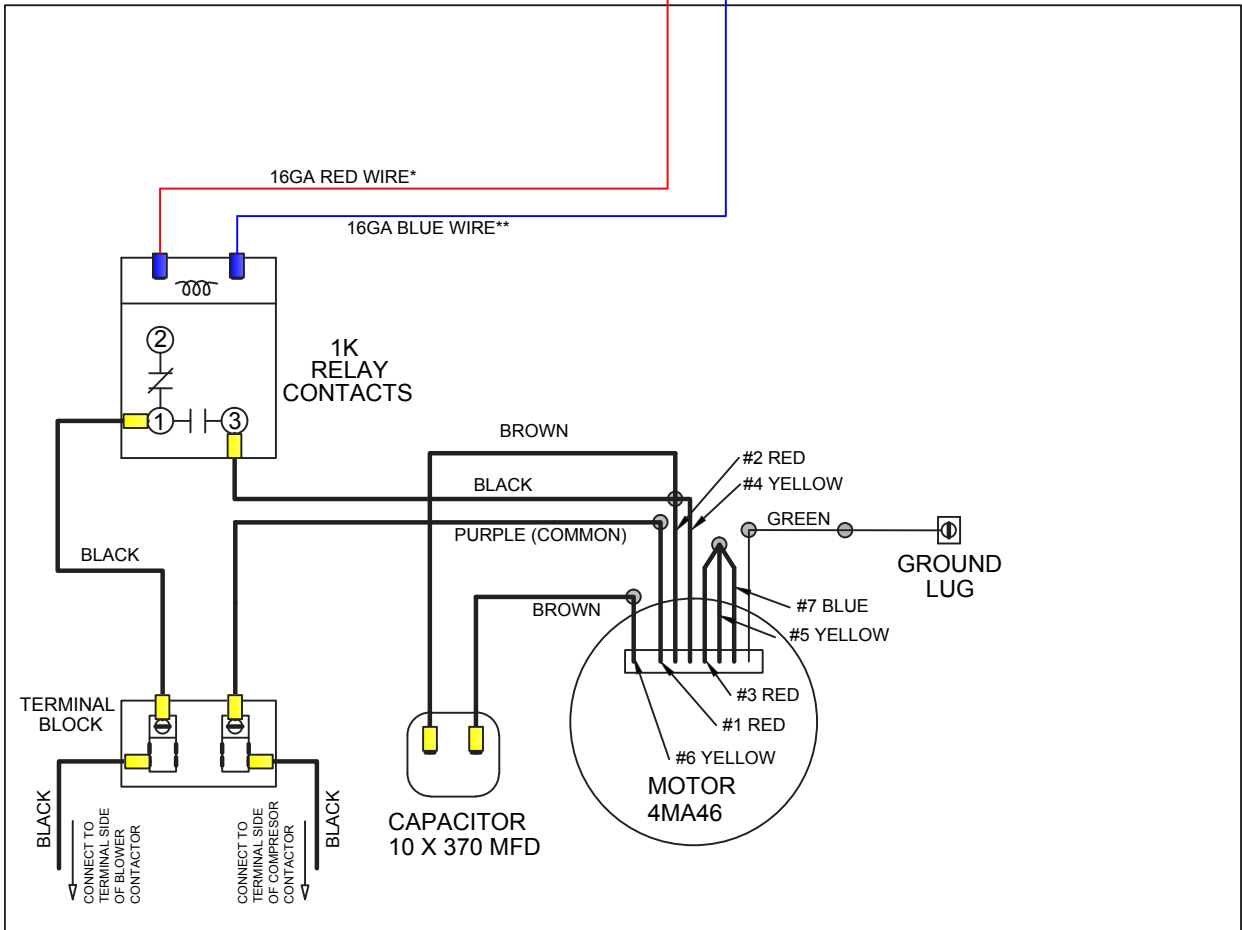
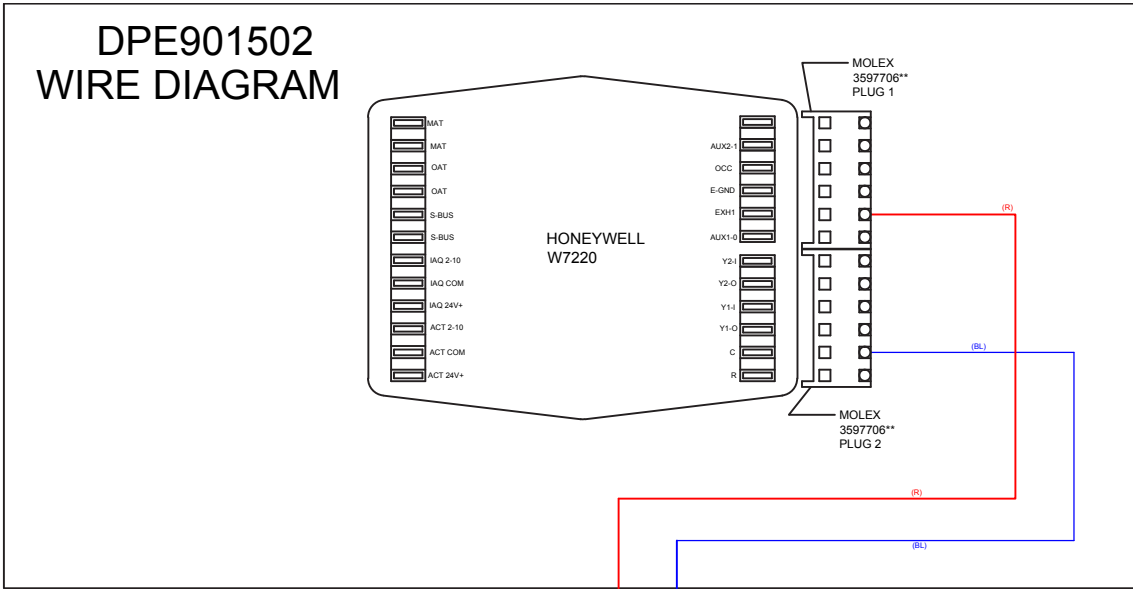
**CONTENTS**

1	Power Exhaust Hood
2	Support Legs
2	Side Connectors
1	Installation Instructions

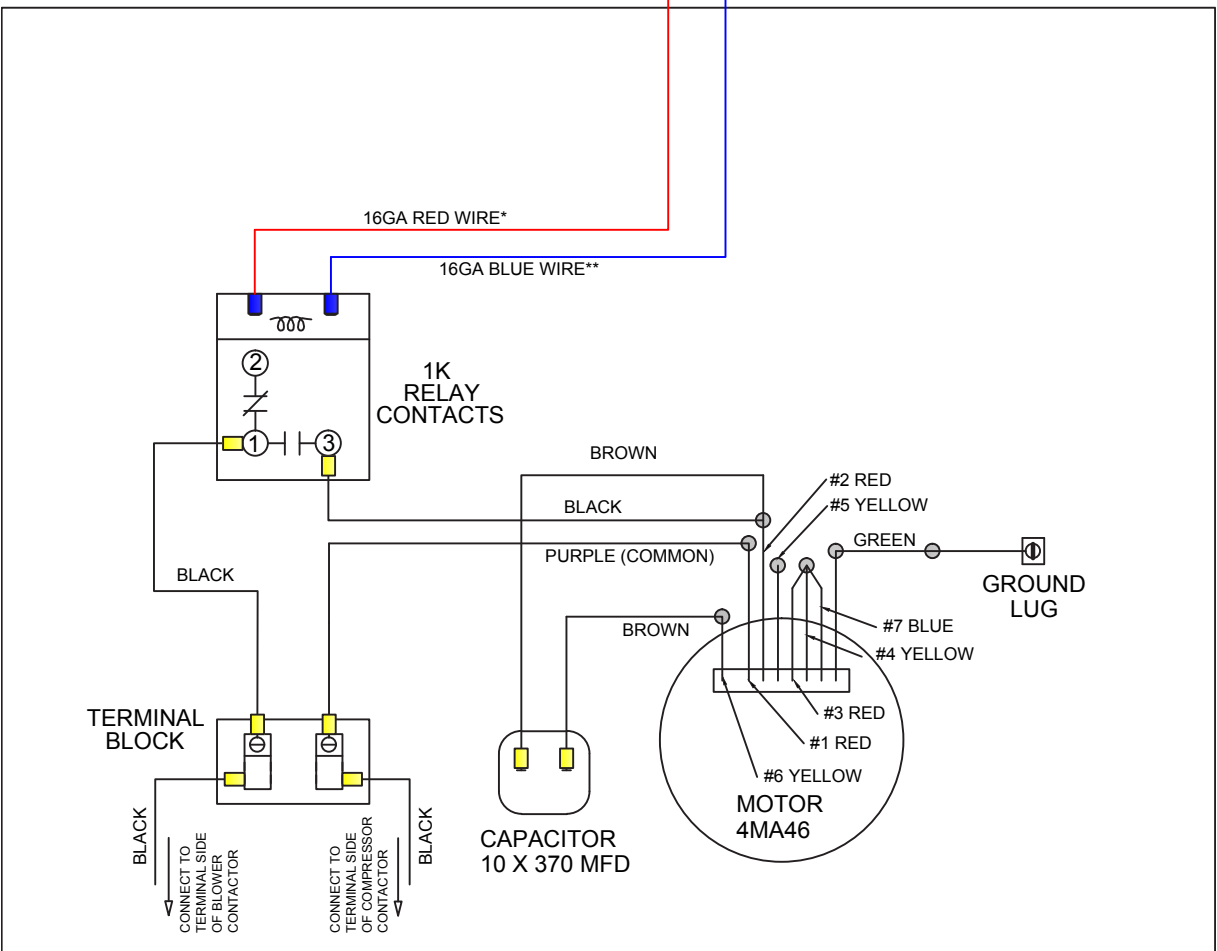
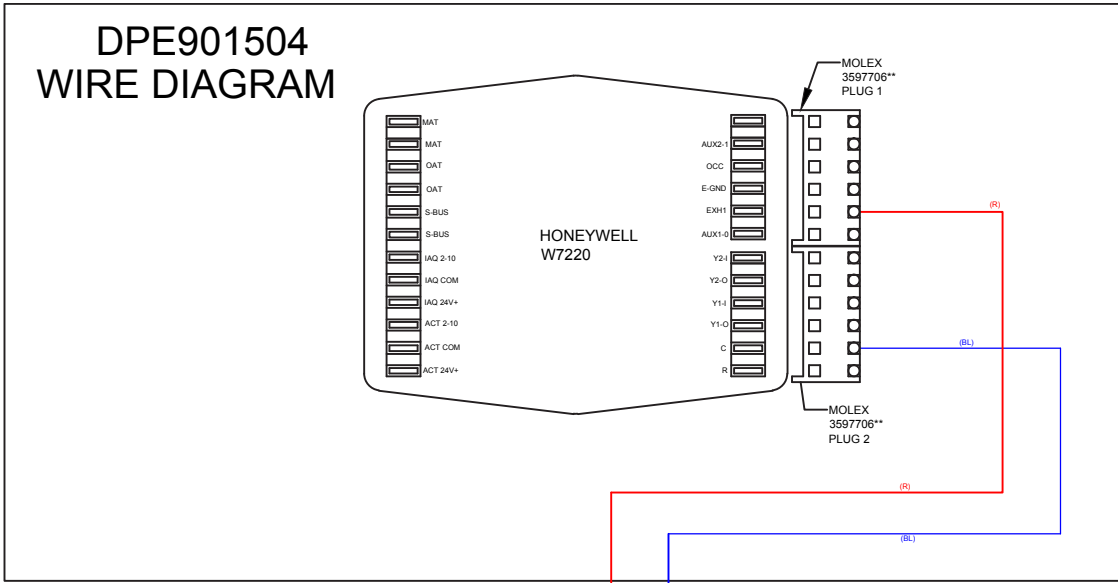
Figure 3

Model	Voltage	Motor				
		HP	RPM	Type	FLA	Speeds
PE901502	208/230-1-60	1/2	1075	Direct Drive	2.4	1
PE901504	460-1-60	1/2	1075	Direct Drive	1.2	1
PE901507	575-1-60	1/2	1100	Direct Drive	1.0	1

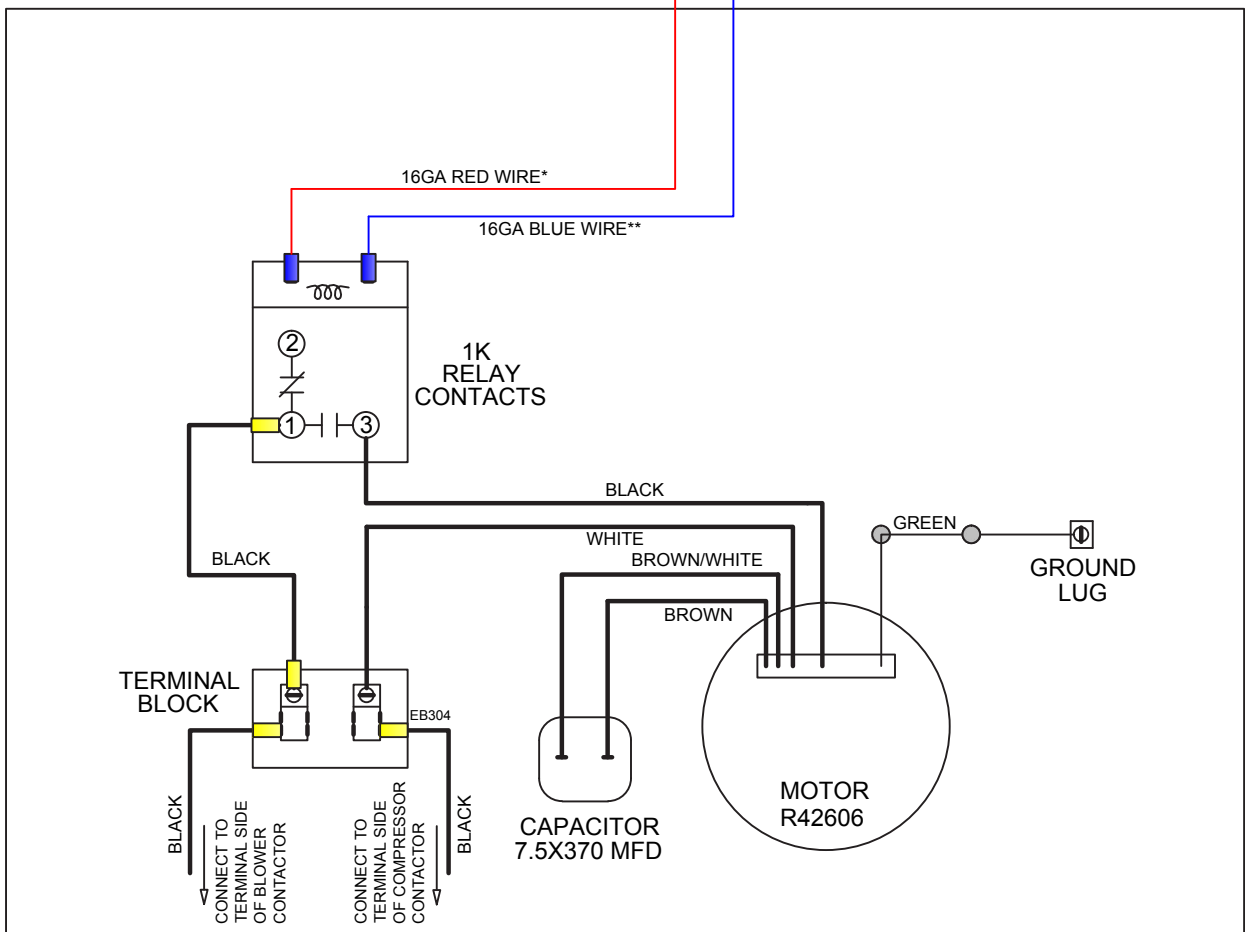
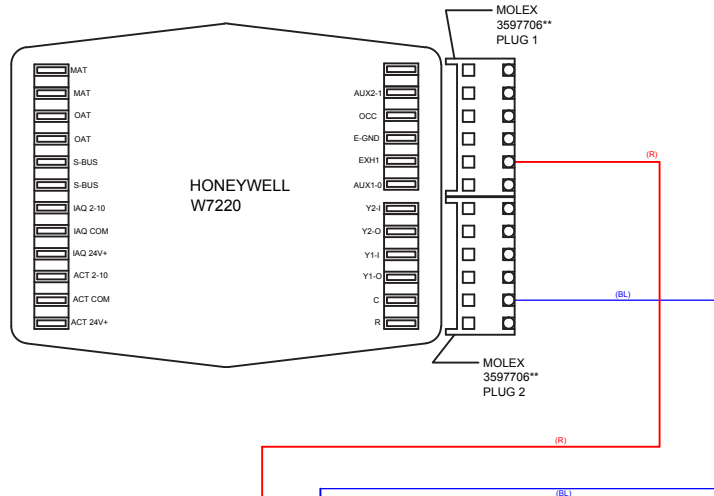
# DPE901502 WIRE DIAGRAM



# DPE901504 WIRE DIAGRAM



# DPE901507 WIRE DIAGRAM

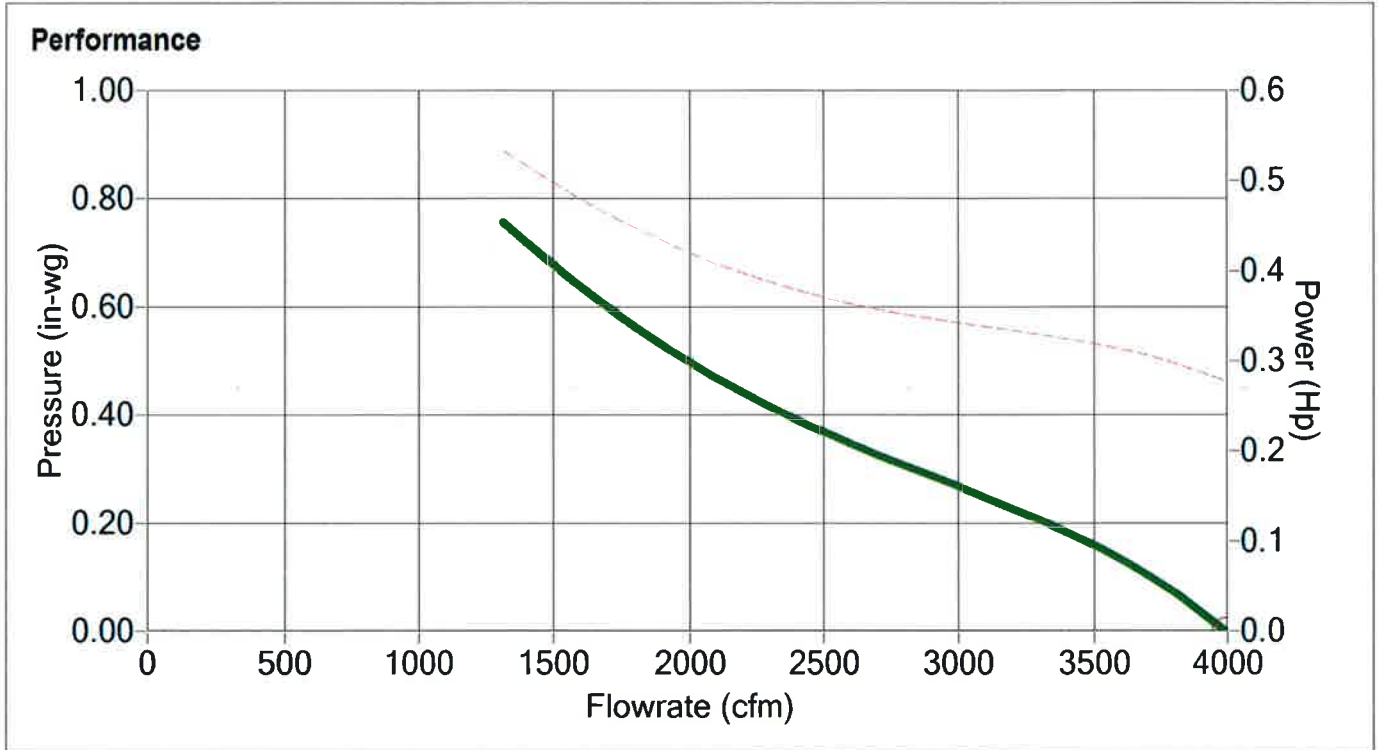


# Lau Selection #1



# MODEL F08Y202033

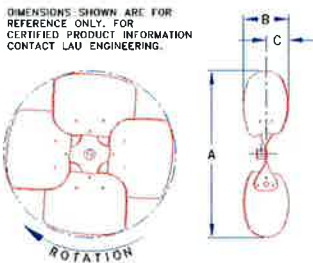
<b>Selection Input</b>	Input Flow 4000 CFM	Input Pressure 0.00 in-wg	Temperature 70 F	Altitude 0 ft	Q Derate 0 CFM	P Derate 0.00 in-wg	VAV Set Point 0.00 in-wg		Date 04-22-2015
<b>Selection Output</b>	Flow 3990 CFM	Pressure 0.00 in-wg	Power 0.28 hp	Static Efficiency 0.0 %	Total Efficiency 40.5 %	Speed 1100 rpm	Outlet Velocity 1741 fpm		
	Impeller Diameter 20.0 in	Outlet Area 2.29 ft <sup>2</sup>	Max Speed 1600 rpm	Pitch 33 deg	Drive Direct Drive	Blades 4	P Volume 0.7 ft <sup>3</sup>	Tumdown 100 %	



Sound	63	125	250	500	1000	2000	4000	8000	Lw	LwA
	N/A	N/A	N/A	N/A	N/A	N/A	N/A	N/A	N/A	N/A

### Options

- Available Bore: 5/16, 3/8, 1/2 and 5/8 inch
- Keyway: Available in bore sizes 1/2 inch or larger
- Blade Material: Aluminum
- Spider Material: Painted Steel, Galvanized Steel
- Hub Location: Discharge side, Inlet side
- Set Screw Quantity: 1 or 2
- Rotation: Determine rotation by viewing discharge side of prop  
Clockwise or counterclockwise



A	B	C
20.00	3.87	1.69

Dimensions in inches

Notes: Airflow performance data are obtained in accordance with AMCA 210-07. Installed performance will vary depending on extent of cabinet geometry