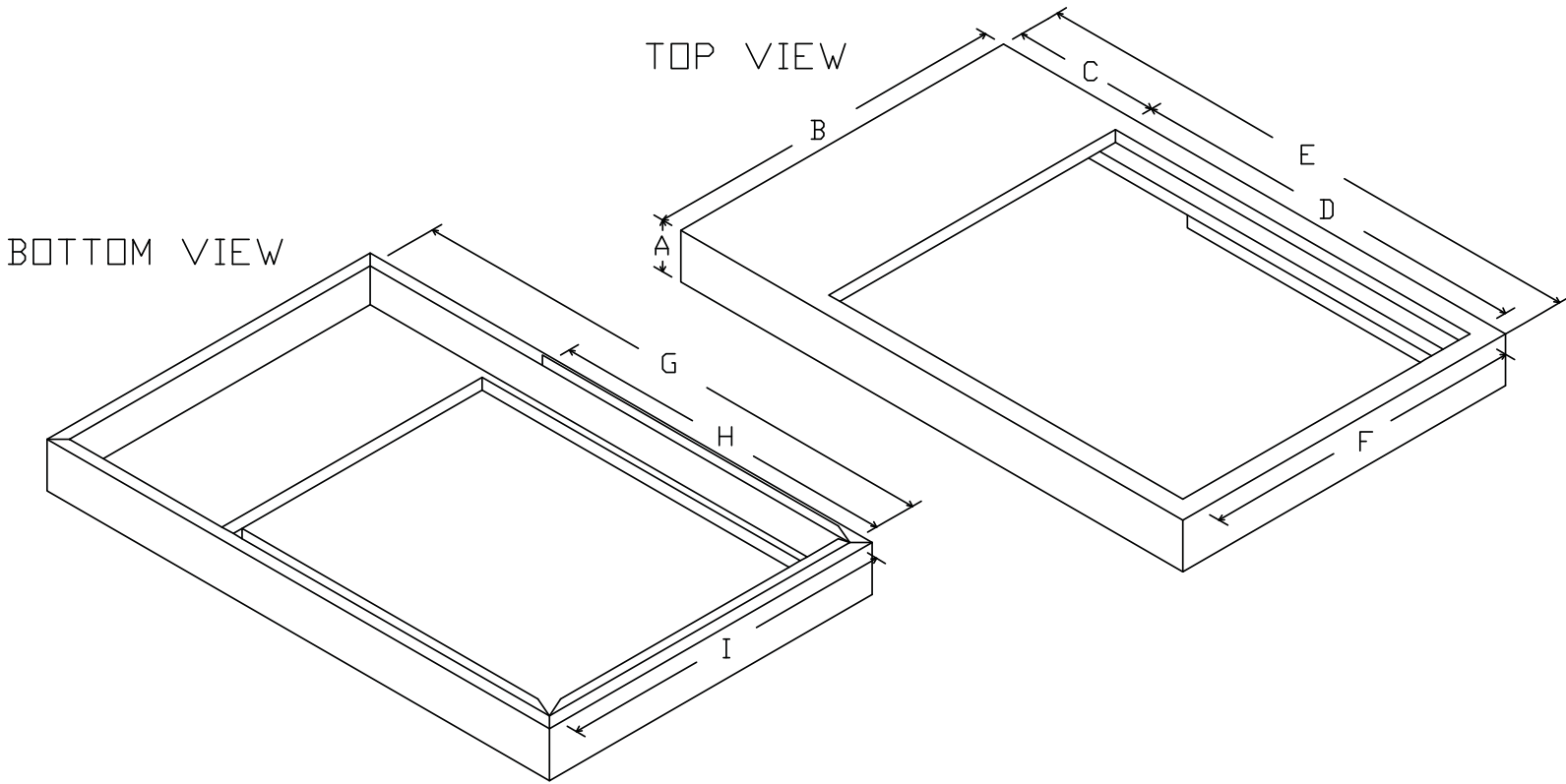




### KIT INSTALLATION

1. Determine the location for the furnace.
2. Cut the floor opening to the dimensions shown on the table below (G X I.)
3. Set the base into the opening and secure to the floor.
4. Size the plenum per the table below (F X D less 1/8 on each side) and turn a 5/8 flange out on the sides and back of the plenum. Insert the plenum into the opening so that the flanges rest on the top of the base.
5. Install the furnace on top of the base, taking care not to damage the silicone tape gasket material.



SBT	Dimensions								
	A	B	C	D	E	F	G	H	I
SBT 14	2 1/2	14 1/2	7 1/4	19 3/4	28	12 3/4	26 3/4	16 1/2	13 1/2
SBT 17	2 1/2	18	7 1/4	19 3/4	28	16	26 3/4	16 1/2	16 3/4
SBT 21	2 1/2	21 1/2	7 1/4	19 3/4	28	19 1/2	26 3/4	16 1/2	20 1/4
SBT 24	2 1/2	25 1/2	7 1/4	19 3/4	28	23 1/2	26 3/4	16 1/2	24 3/4