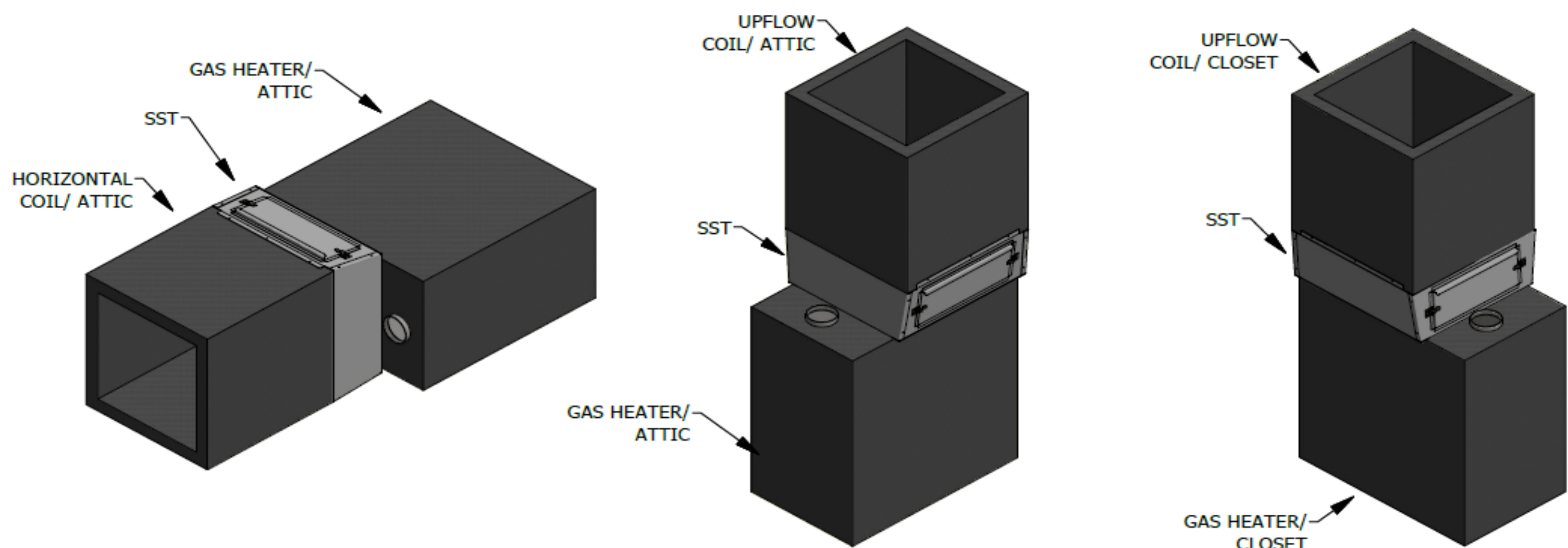


Horizontal - Attic Install - Upflow - Basement - Closet Applications



Installation Points

- Select SST™ model for appropriate size combination
- Inspect flanged edges, adjust with proper safety tools if necessary
- Smallest dimensional opening pairs to the motor bearing unit (furnace) in most applications - **but not all**
- Seat the SST™ onto the forced air unit (furnace) - flanges seated over the outer edge of the unit
- Affix flanged edges of SST™ to FAU - Minimum of (2) 1/4 inch self-tapping screws per flanged edge/ cabinet junction
- Position Evaporator Coil to wide side of SST™ in most applications - **but not all**
- Seat coil opening flanges to the front of SST™ flanged edges

Note: If there is clearance from the inside drain pan, bottom and the SST flange - WITHOUT damaging or piercing the drain pan, then use of a minimum of (2) 1/4 inch self-tapping screws per each flanged junction to secure the 2 units together (SST™ to Evaporator Coil)

- Seal all junction edges and seams of SST™ install with UL181 foil tape and UL181 mastic
- Remove the View Access Door - inspect all interior seams and corners for complete seal
- Recommendation is to start the system - check for air leaks - seal with UL181 method if necessary
- Secure any and all leaks to complete SST™ installation

U.S. Pat. No 9267702 - U.S. Pat. No 10151507 / Canadian Pat. No. 2865781 - Canadian Pat. No. 2835898

Important Notes and Warnings!

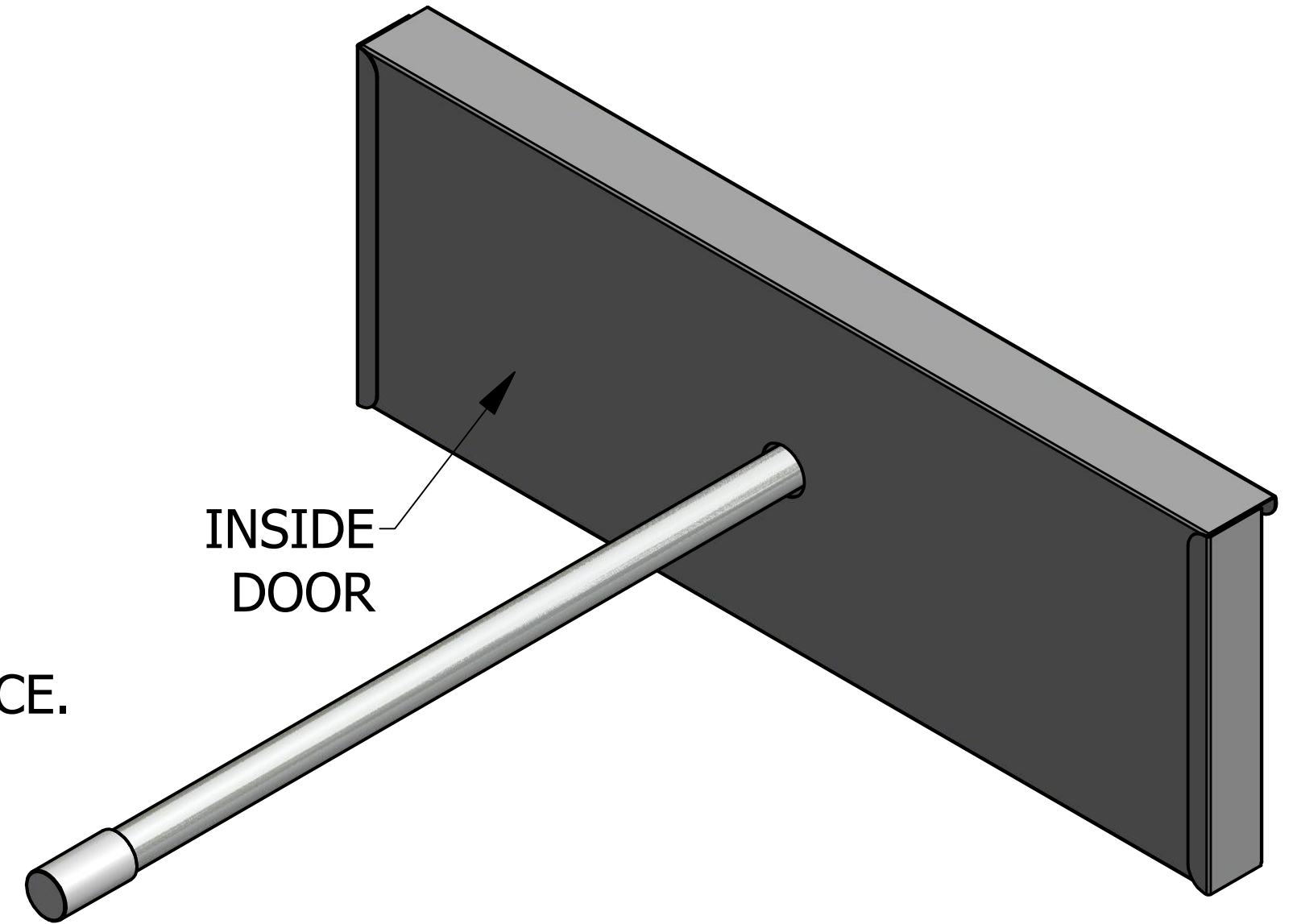
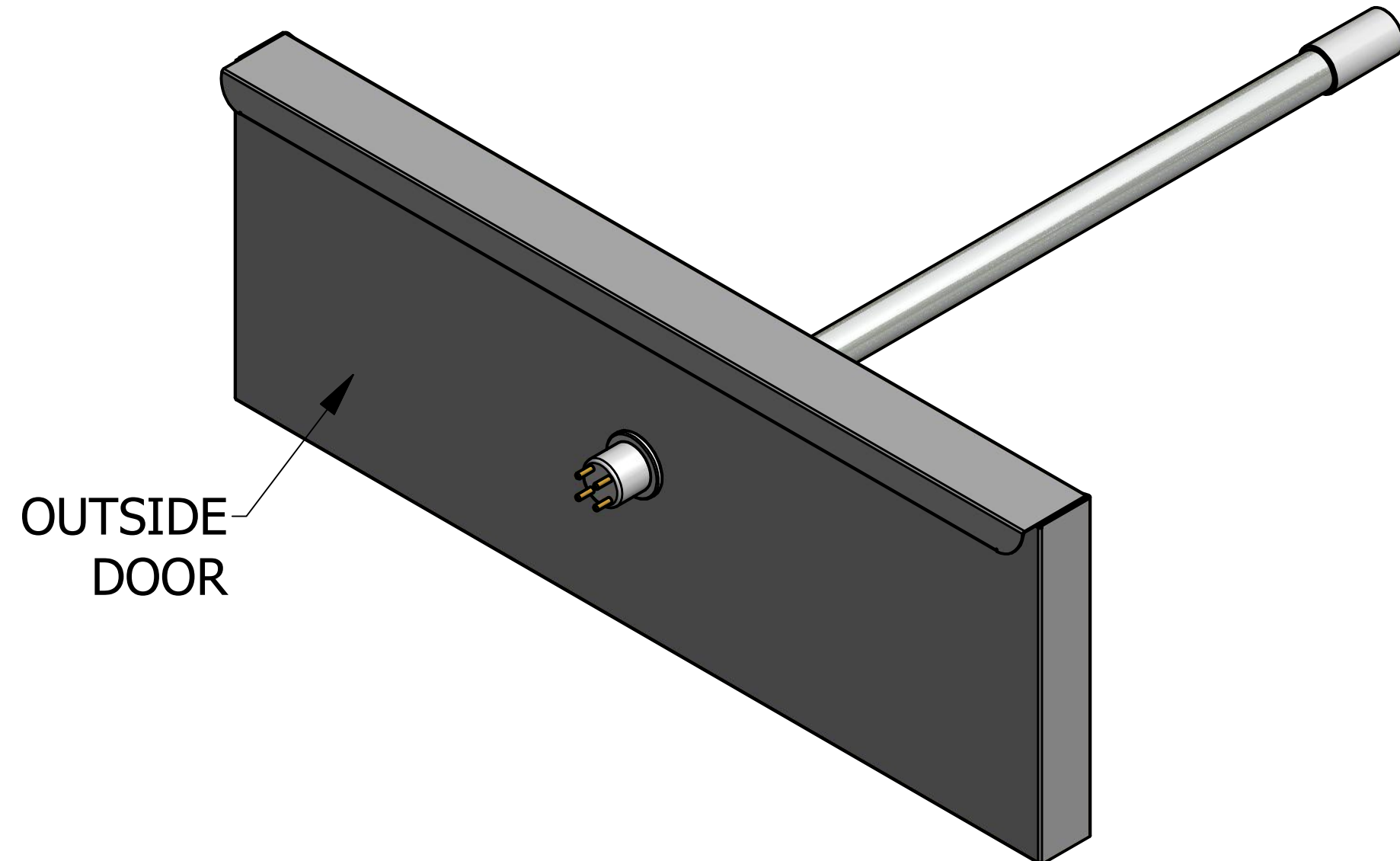
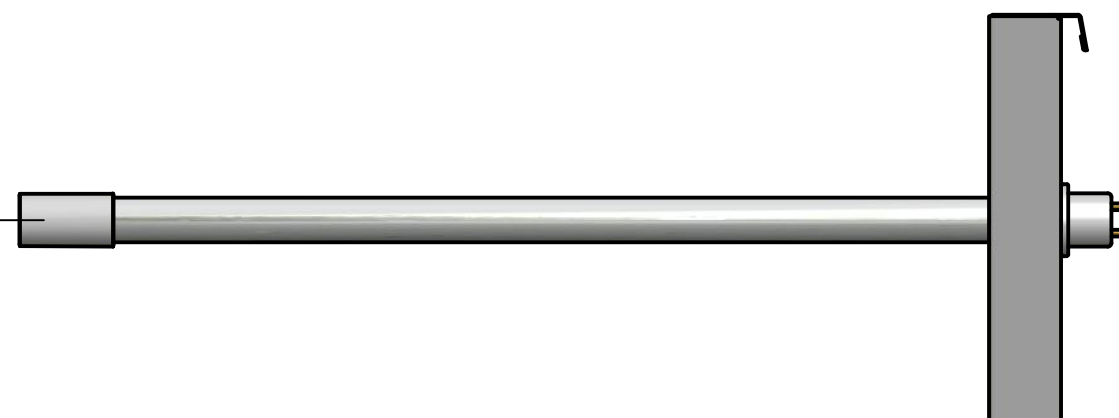
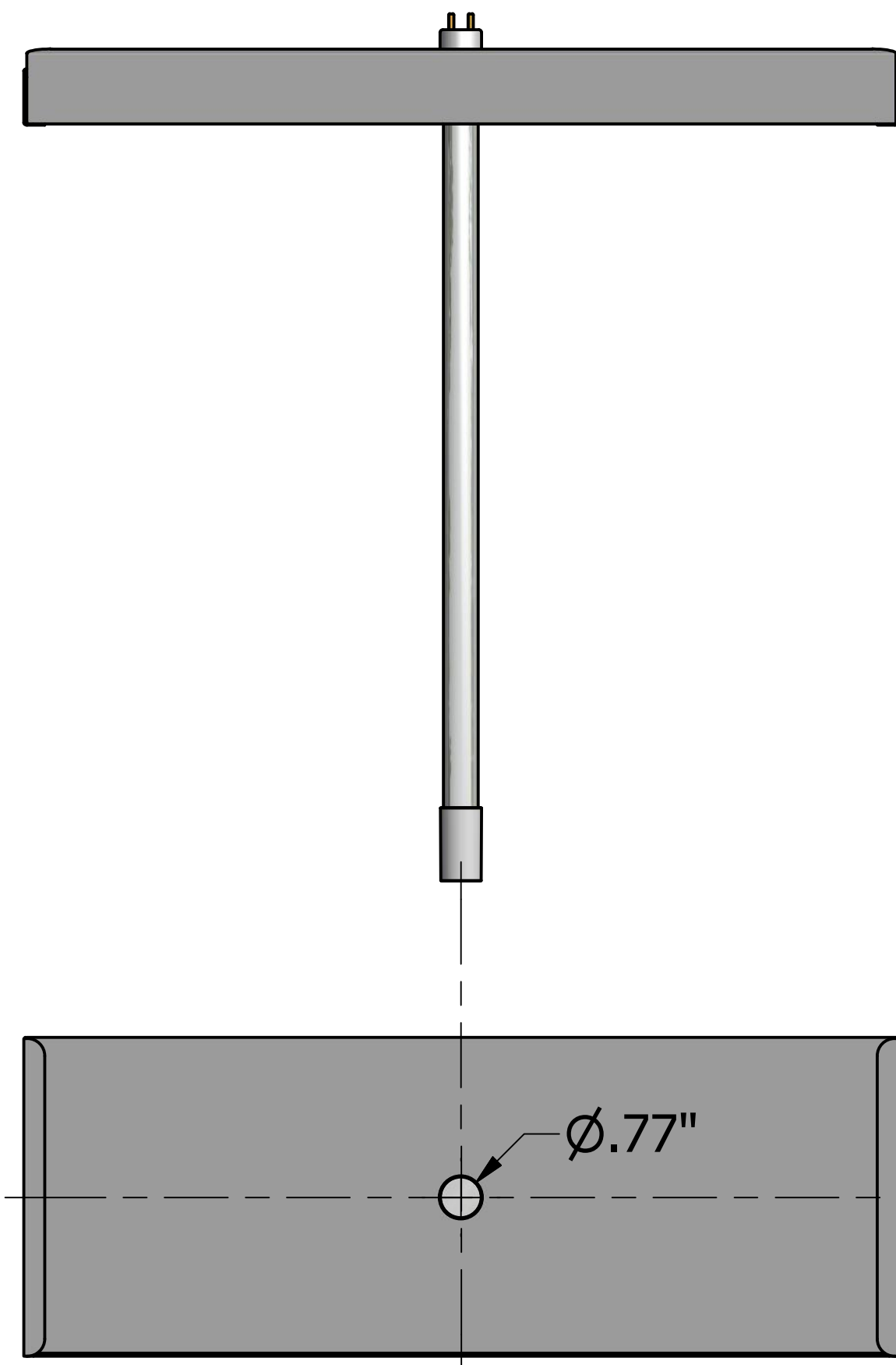
- Always defer to local code for application or installation guidance for your project
- For sealing edges and junctions UL181 Foil Tape and UL181 mastic are HIGHLY recommended
- Use proper tools and protective equipment if adjusting flanged edges
- **CUT HAZARD -**
 - Failure to follow this caution may result in personal injury
 - Sheet metal parts may have sharp edges or burrs
 - Use care and wear appropriate protective clothing and gloves when handling parts
- The use of this information is specifically intended for a qualified HVAC installation and service technician
- A qualified HVAC installation and service technician must perform all installation and service of these products
- The installation instructions do not and are not intended to replace, amend, or modify any applicable local, state and national codes
- This product is designed and manufactured to comply with national codes
- Installation in accordance with such codes and/ or prevailing local codes/ regulations is the responsibility of the installer (technician). The manufacturer assumes no responsibility for equipment installed in violation of any codes or regulations
- THE INSTALLATION AND MAINTENANCE INSTRUCTIONS PROVIDED MUST BE FOLLOWED TO PROVIDE SAFE, EFFICIENT, AND TROUBLE FREE OPERATION. IN ADDITION, PARTICULAR CARE MUST BE EXERCISED REGARDING THE SPECIAL PRECAUTIONS LISTED ABOVE. FAILURE TO PROPERLY ADDRESS THESE CRITICAL AREAS COULD RESULT IN PROPERTY DAMAGE OR LOSS, PERSONAL INJURY, OR DEATH. THESE INSTRUCTIONS ARE SUBJECT TO ANY MORE RESTRICTIVE LOCAL OR NATIONAL CODES.

NOTE: INSTALLATION INSTRUCTIONS PROVIDED BY THE LIGHT MANUFACTURER SUPERCEDE THE FOLLOWING.

UV LIGHT INSTALLATION INSTRUCTIONS

SST TRANSITIONS INCLUDE $\emptyset.77$ " FACTORY KNOCK-OUTS CUT IN THE CENTER OF THE **VIEW ACCESS DOOR** FOR UV LIGHT INSTALLATION. (IF A LARGER HOLE IS REQUIRED, IT MUST BE FIELD CUT BY THE INSTALLING CONTRACTOR)

1. REMOVE THE KNOCK-OUTS FROM FRONT AND BACK OF VIEW ACCESS DOOR AND REMOVE INSULATION BETWEEN HOLES.
2. CAREFULLY INSERT UV LIGHT FROM OUTSIDE OF VIEW ACCESS DOOR, ALIGN WITH HOLE ON INSIDE OF DOOR, SLIDE THROUGH, AND SECURE IN PLACE.





888.994.4424
fax: 888.929.2566
PO Box 1079
Cypress, TX 77410

www.HVACinnovate.com
"Changing the HVAC Industry. One Innovation at a Time"

System Service Transition™ (SST™)

Horizontal – Attic Install - Upflow – Basement – Closet Applications

Installation Points

- Select SST model for appropriate size combination
- Inspect flanged edges, adjust with proper safety equipment if necessary
- Smallest dimensional opening pairs to the motor bearing unit (furnace) in most applications – but not all
- Seat the SST onto the forced air unit (furnace) – flanges seated over outer edge of unit
- Affix flanged edges of SST to FAU – Minimum of (2) ¼ inch self-tapping screws per flanged edge/cabinet junction
- Position Evaporator Coil to wide side of SST in most common applications – but not all
- Seat coil opening flanges to the front of SST flanged edges
- **Note: If there is clearance from the inside drain pan, bottom and the SST flange - **without damaging or piercing the drain pan** then the use of a minimum of (2) ¼ inch self-tapping screws per each flanged junction to secure the 2 units together (SST to Evaporator Coil)**
- Seal all junction edges and seams of SST install with UL181 foil tape and UL181 mastic
- Remove the View Access Door – inspect all interior seams and corners for complete seal
- Recommendation is to start system – check for air leaks – seal with UL181 method if necessary
- Secure any and all leaks to complete SST installation

Important Notes and Warnings!

- Always defer to local code for application or installation guidance for your project
- For sealing edges and junctions UL181 Foil Tape and UL181 Mastic is **HIGHLY** recommended
- Use proper tools and protective equipment if adjusting flanged edges



*** CUT HAZARD ***

- Failure to follow this caution may result in personal injury
- Sheet metal parts may have sharp edges or burrs
- Use care and wear appropriate protective clothing and gloves when handling parts
- The use of this manual is specifically intended for a qualified HVAC installation and service technician.
- A qualified HVAC installation and service technician must perform all installation and service of these products.
- The installation instructions do not and are not intended to replace, amend or modify any applicable local, state and national codes.
- This product is designed and manufactured to comply with national codes.
- Installation in accordance with such codes and/or prevailing local codes/regulations is the responsibility of the installer (technician). The manufacturer assumes no responsibility for equipment installed in violation of any codes or regulations.
- **THE INSTALLATION AND MAINTENANCE INSTRUCTIONS IN THIS MANUAL MUST BE FOLLOWED TO PROVIDE SAFE, EFFICIENT, AND TROUBLE-FREE OPERATION. IN ADDITION, PARTICULAR CARE MUST BE EXERCISED REGARDING THE SPECIAL PRECAUTIONS LISTED BELOW. FAILURE TO PROPERLY ADDRESS THESE CRITICAL AREAS COULD RESULT IN PROPERTY DAMAGE OR LOSS, PERSONAL INJURY, OR DEATH. THESE INSTRUCTIONS ARE SUBJECT TO ANY MORE RESTRICTIVE LOCAL OR NATIONAL CODES.**

www.HVACinnovate.com

Made in the USA • Patent Pending in the US and Canada