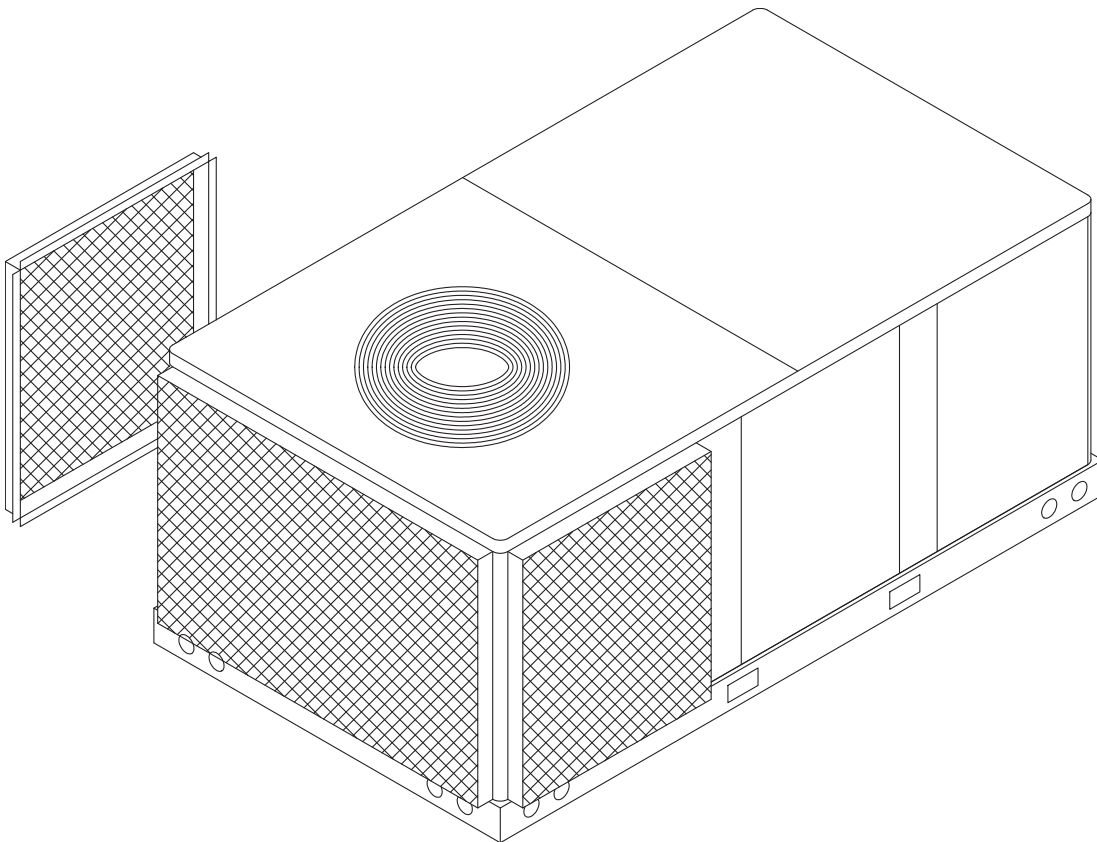




Application

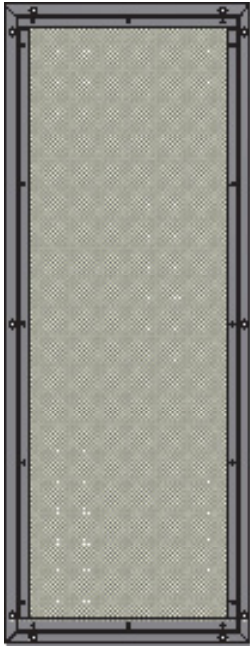
Hail guards are coil protection devices designed to prevent damage to exposed condenser coils from weather and other outside agents. McDaniel Metals' hail guards are painted to match the units and designed for easy installation. Fit the hail guard onto the unit so that the flanges on the part are aligned with the corner posts and top and base pan of the unit and secure with screws provided.

**USE CAUTION WHEN INSTALLING SCREWS AROUND THE
UNIT CONDENSER COILS AND OTHER UNIT COMPONENTS**

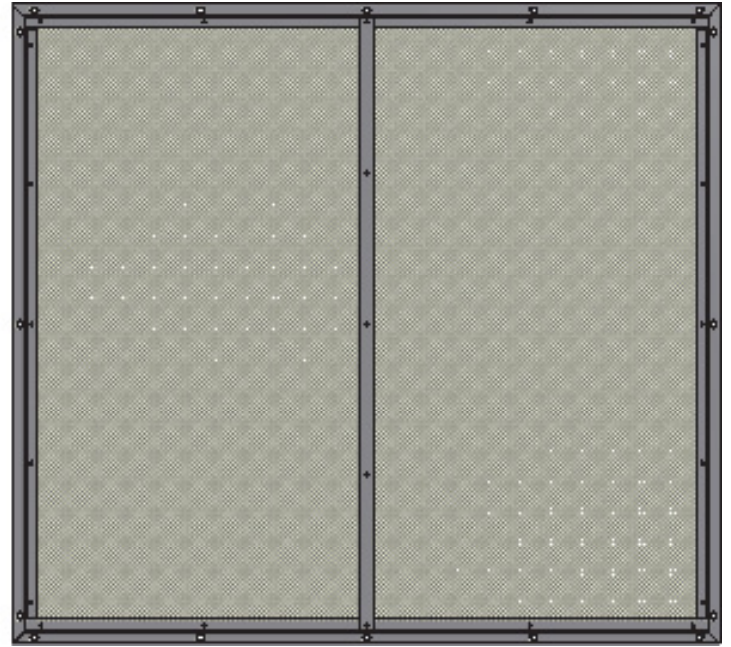


Part Number	Fits York/Luxaire Units	Guard 1 Dimension	Guard 2 Dimension	Guard 3 Dimension
130-YX-001-1	DNH030-042, DNQ/NX/NY/NZ/NP 024-030	11 5/8 X 28	40 1/4 X 28	
130-YX-001-2	DNH048-060, DNQ/NX/NY/NZ/NP 042-060	13 3/4 X 36	42 3/8 X 36	
130-YX-001-3	DEQ/EX/EZ/EM024-042, BHH/HA018-042, BHQ/HX/HZ/HP024-036	21 1/8 X 28	36 1/4 X 28	
130-YX-001-4	DEP/EH/EZ/EM048-060, BHH/HA048-060, BHQ/HX/HZ/HP048-060	22 1/8 X 36	36 1/4 X 36	
130-YX-001-5	DNZ024-036 Micro Channel	15 1/16 X 28	40 1/4 X 28	
130-YX-001-6	DNZ042-060 Micro Channel	15 1/16 X 36	40 1/4 X 36	
130-YX-001-7	DEZ024-042 Micro Channel	21 X 28	34 X 28	
130-YX-001-8	DEZ048-060 Micro Channel	21 X 36	34 X 36	
130-YX-002	Sunline BQ/BCH/BP/ZF/XP/ZR/ZJ/DJ036-060,	36 3/4 X 30	14 3/4 X 30	28 1/4 X 30
130-YX-002T	DR/BP036-72	36 3/4 X 30	19 1/2 X 30	28 1/4 X 30
130-YX-003S	ZH/ZJ037-061, ZF/ZH/ZR/XP078,090, XP150	53 X 38 5/8		
130-YX-003	ZF/ZH/ZR/XP102-120, ZJ078-120	53 X 46 5/8		
130-YX-003T	ZH/ZF150	54 3/4 X 42 1/2		
130-YX-004	BP/DH/DM/ZF180	40 X 43	40 X 43	
130-YX-005	BP/DH/DM/ZF210-300	40 X 47	40 X 47	

130-YX-001-X

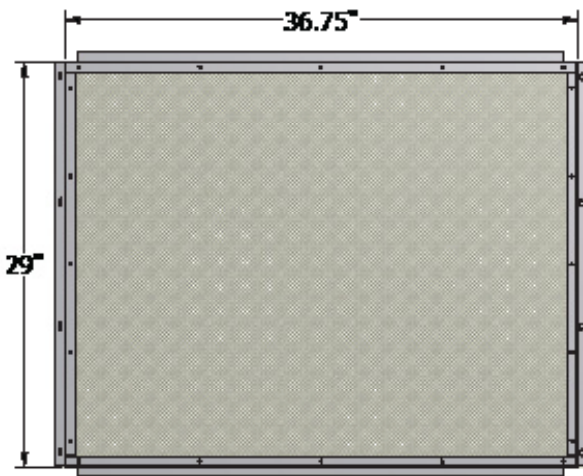


1

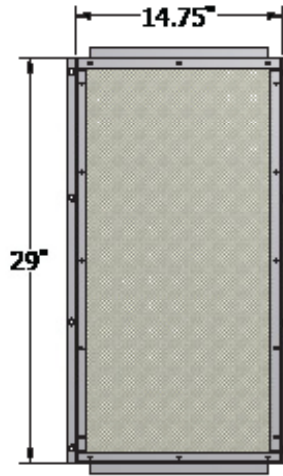


2

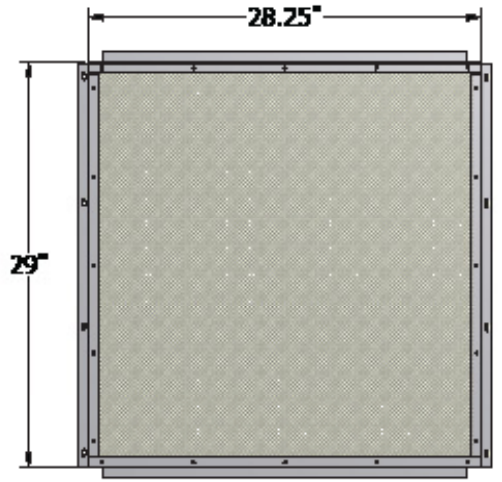
130-YX-002



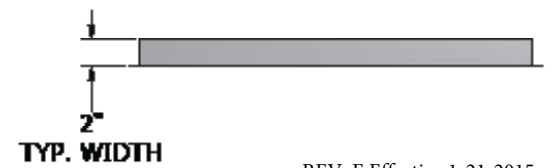
1



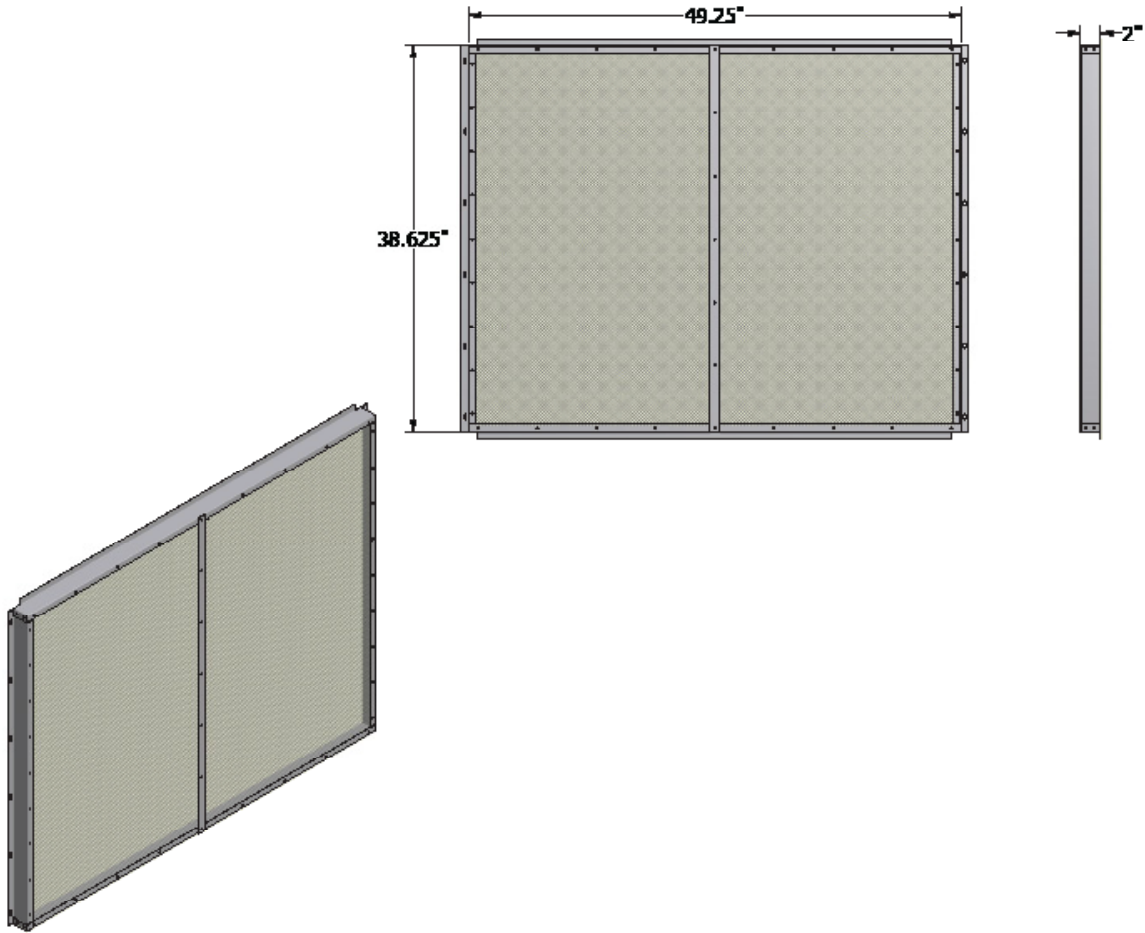
2



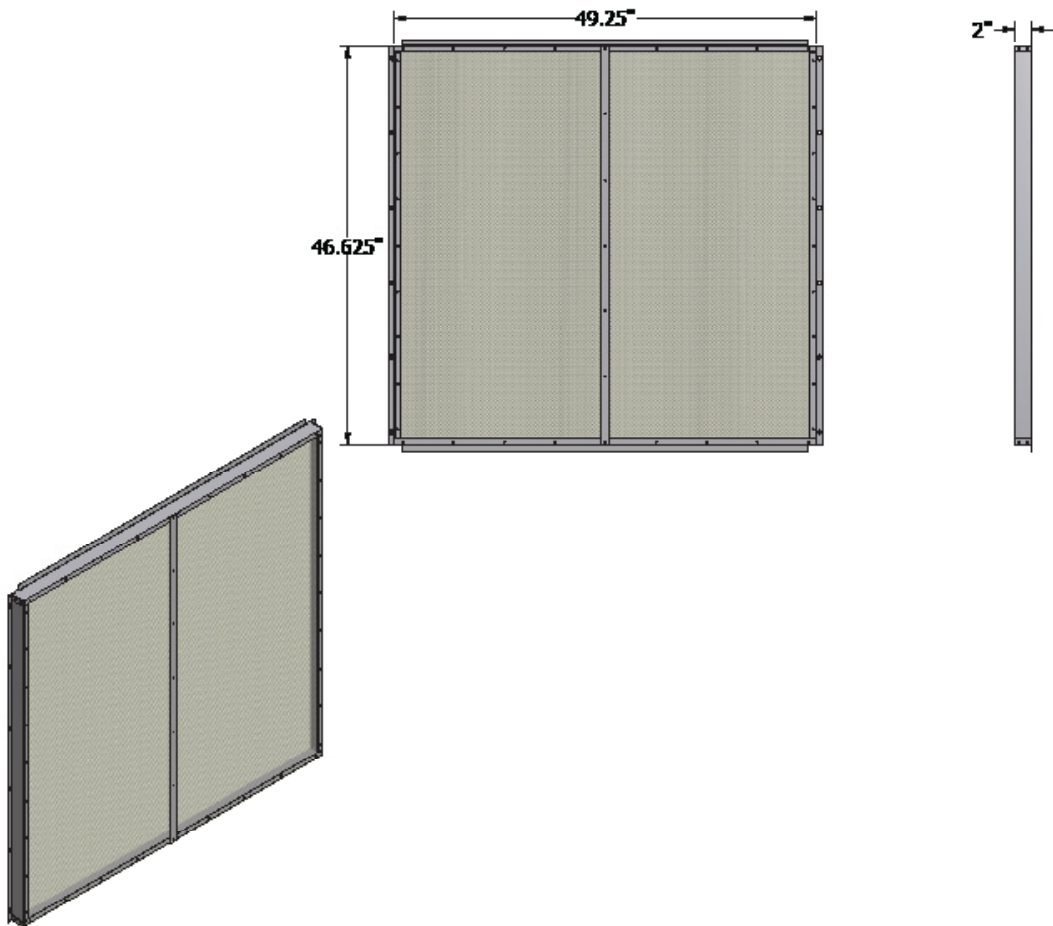
3



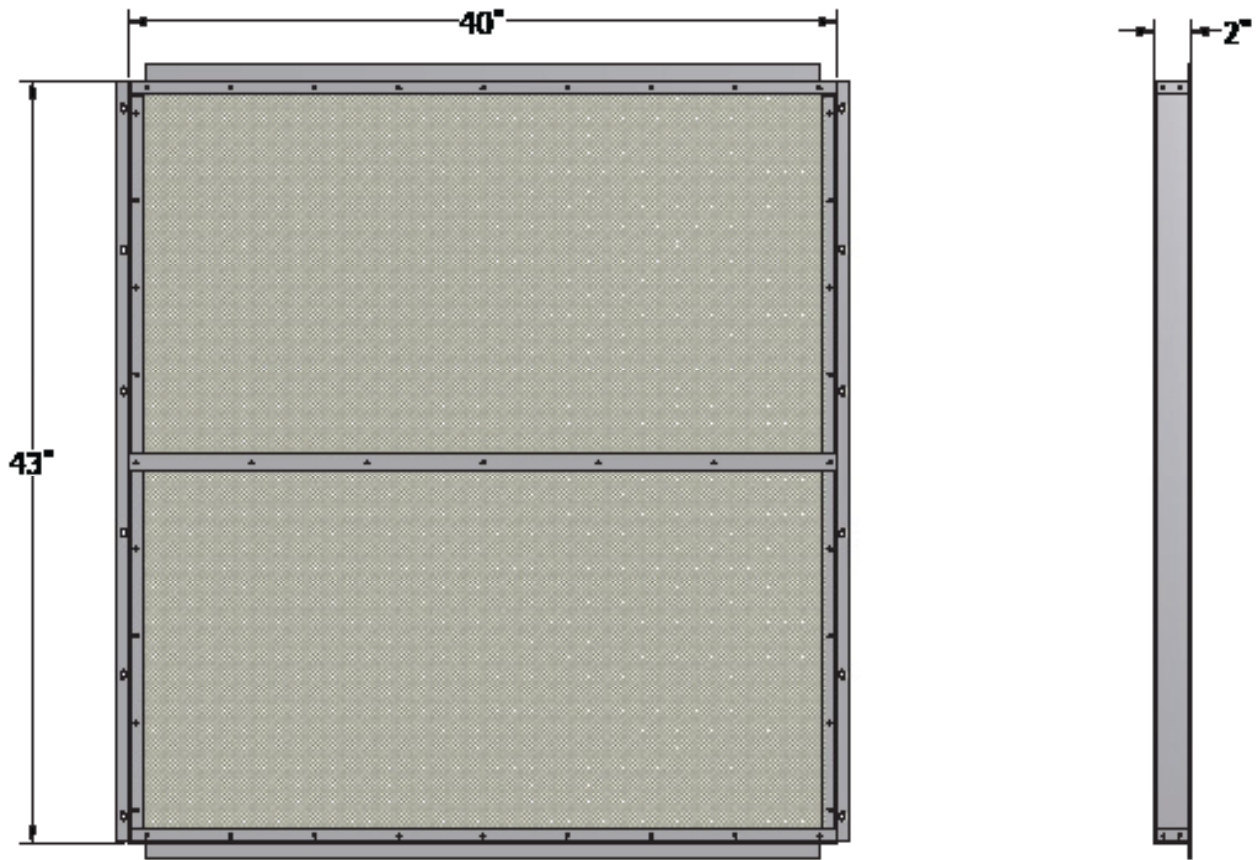
130-YX-003S



130-YX-003



130-YX-004



130-YX-005

