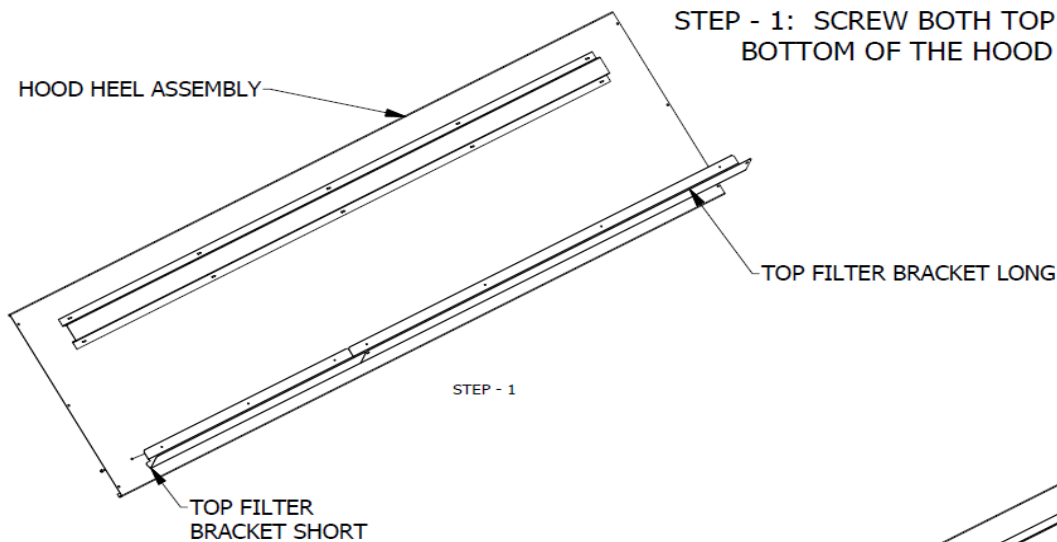




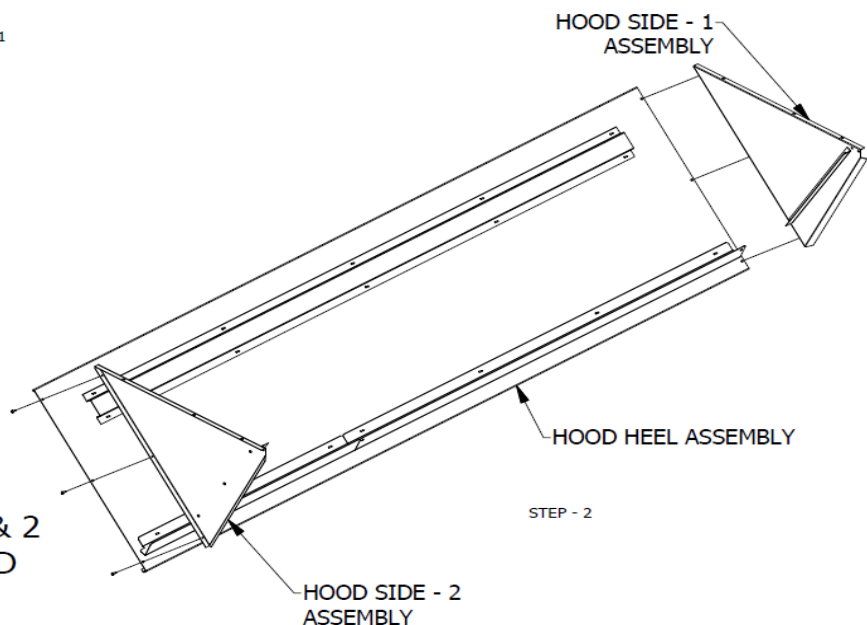
Installation

1. Disconnect power to the unit and remove the filter access panel.
2. Remove the horizontal return air panel.
3. Align the damper section with the top and bottom support channels and slide the damper section into the unit.
4. For the 110-LX-11 manual damper, adjust the quadrant on the end of the damper to the desired location and secure the wing nut. For the 112-LX-11 motorized damper connect the wiring harness on the actuator to the economizer plug.
5. Install the end plate and secure with screws.
6. Assemble and attach the hood.
7. Replace the filter access panel.

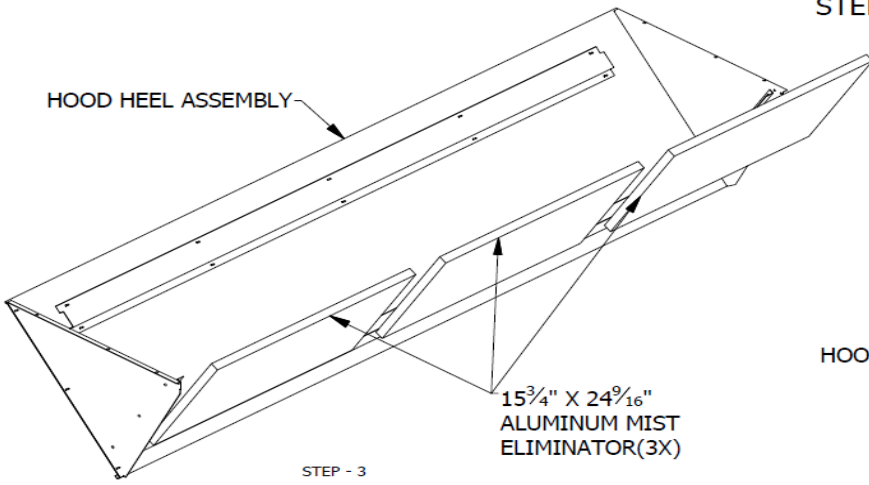
STEP - 1: SCREW BOTH TOP FILTER BRACKETS TO THE BOTTOM OF THE HOOD HEEL, THRU THE TOP.



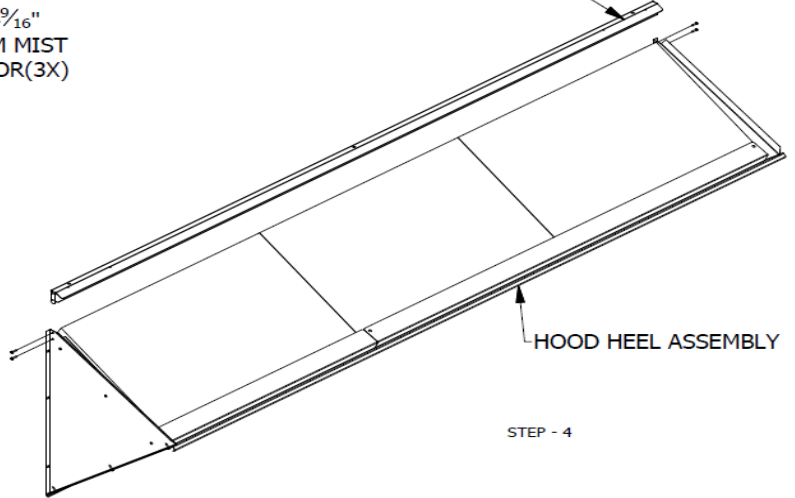
STEP - 2: SCREW HOOD SIDES 1 & 2 TOO THE BOTTOM OF THE HOOD HEEL, THRU THE TOP.



STEP - 3: SLIDE 3 15³/₄" X 24⁹/₁₆" X 1" ALUMINUM MIST ELIMINATORS INTO PLACE BETWEEN THE STOPS

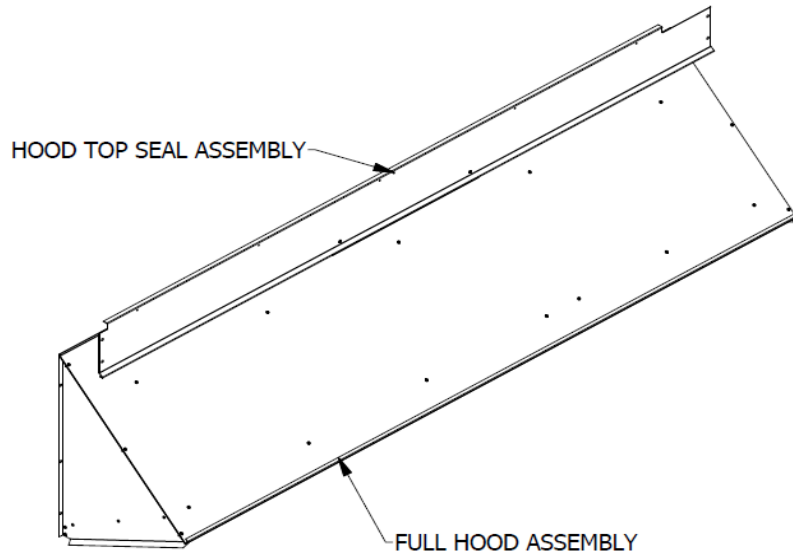


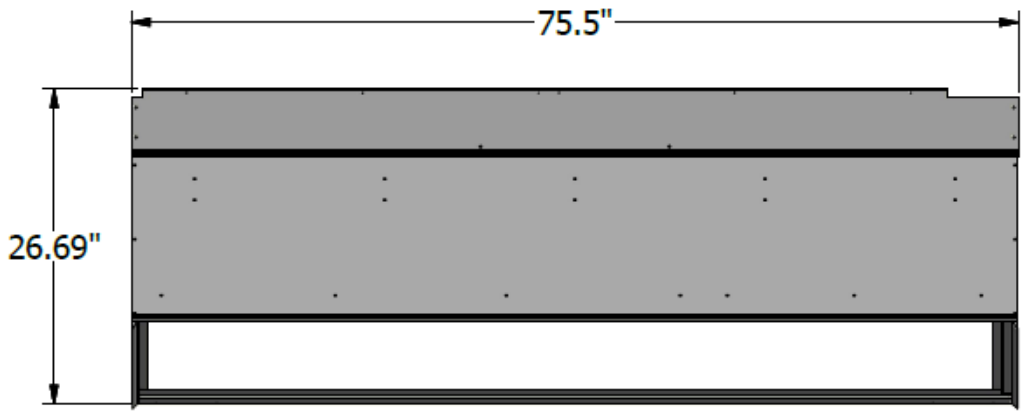
HOOD LOWER FILTER BRACKET



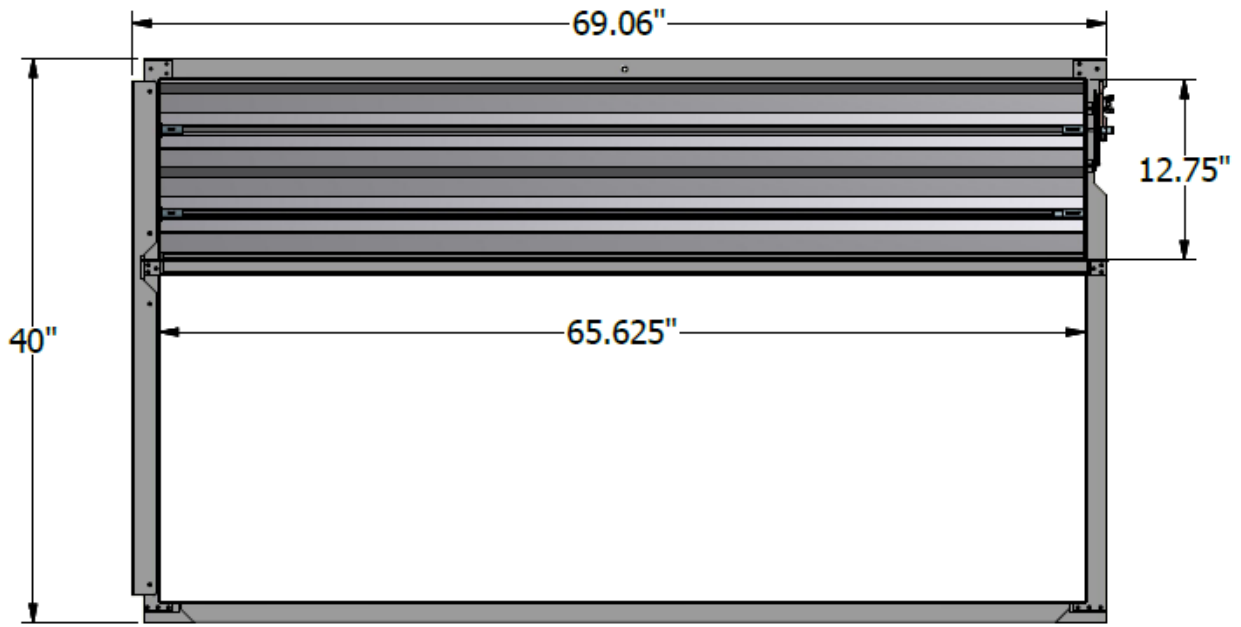
STEP - 4: SCREW HOOD LOWER FILTER BRACKET INTO PLACE ON HOOD SIDES 1 & 2.

STEP - 5: SCREW FULL HOOD ASSEMBLY TO UNIT, THEN SCREW TOP SEAL ASSEMBLY TO UNIT OVER THE FULL HOOD ASSEMBLY. THEN CAULK ANY OPEN HOLES, OR CORNERS

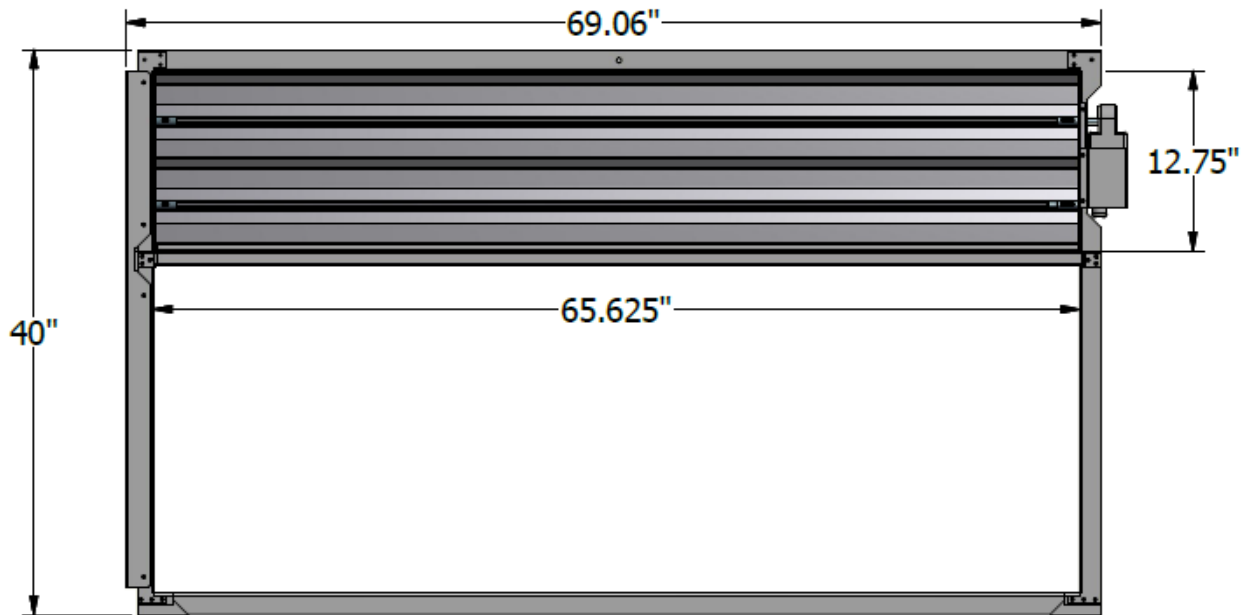




Hood Assembly



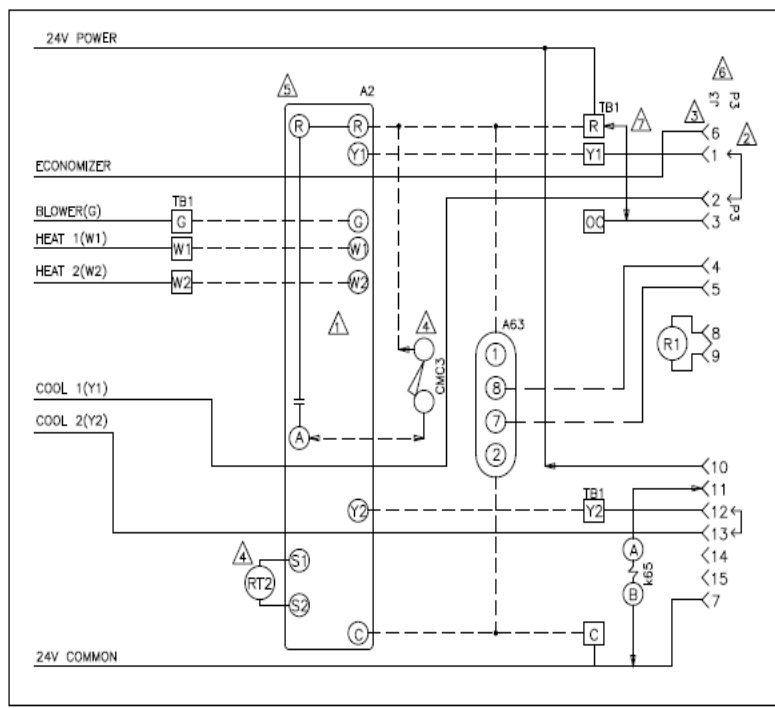
Internal Manual Damper



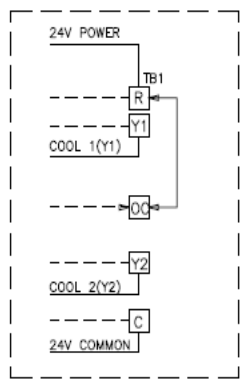
Internal Motorized Damper

KEY	DESCRIPTION	COMPONENT
A2	ELECTRONIC THERMOSTAT SENSOR	
A63	CO2 SENSOR	
CMC3	TIME CLOCK	
J3	UNIT ECONOMIZER PLUG	
K65	EXHAUST FAN RELAY	
P3	ECONOMIZER BYPASS PLUG	
R1	MIXED AIR SENSOR	
RT2	REMOTE THERMOSTAT SENSOR	
TB1	CLASS II VOLTAGE TERMINAL STRIP	

- THERMOSTAT SUPPLIED BY USER
- REMOVE P3 WHEN ECONOMIZERS USED. ONLY ON KCA, KGA, AND KHA 180 THROUGH 300 UNITS
- J3 MAXIMUM LOAD 20VA 24VAC CLASS II
- TIME CLOCK CONTACTS (OPTIONAL) CLOSED OCCUPIED
- TOUCH SCREEN THERMOSTAT
- J3 AND P3 ARE NOT USED ON KCA, KGA, AND KHA 092 THROUGH 150 UNITS WITHOUT ECONOMIZER
- REMOVE JUMPER BETWEEN TB1-R AND TB1-OC WHEN USING A NIGHT SETBACK THERMOSTAT



← OPTIONAL COMPONENTS
 --- FIELD WIRING



CONNECTION SCHEME FOR KCA, KGA, AND KHA 092 THROUGH 150 UNITS WITHOUT ECONOMIZER ONLY

POWER
 1. TERMINAL STRIP TB1 ENERGIZES THERMOSTAT COMPONENTS WITH 24VAC.

OPERATION
 2. TB1 RECEIVES DATA FROM THE ELECTRONIC THERMOSTAT A2 (Y1, Y2, W1, W2, G, OCP). THE 24VAC SIGNAL FROM TB1 ENERGIZES THE APPROPRIATE COMPONENTS FOR HEAT OR COOL DEMAND.

TYPICAL WIRE DIAGRAM FOR ALL 112-LX-XX MOTORIZED DAMPERS

