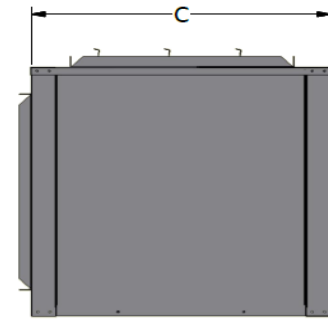


UNIT	DIMENSIONS					TON
	A	B	C	D	E	
125-MM-001	32"	20"	24 1/4"	26"	18"	5 - 7 1/2
125-MM-002	48"	23"	24 1/4"	42"	18"	7 1/2 - 12 1/2
125-MM-003	56 3/8"	27 3/4"	28 7/8"	50 3/8"	22 3/8"	12 1/2 - 15

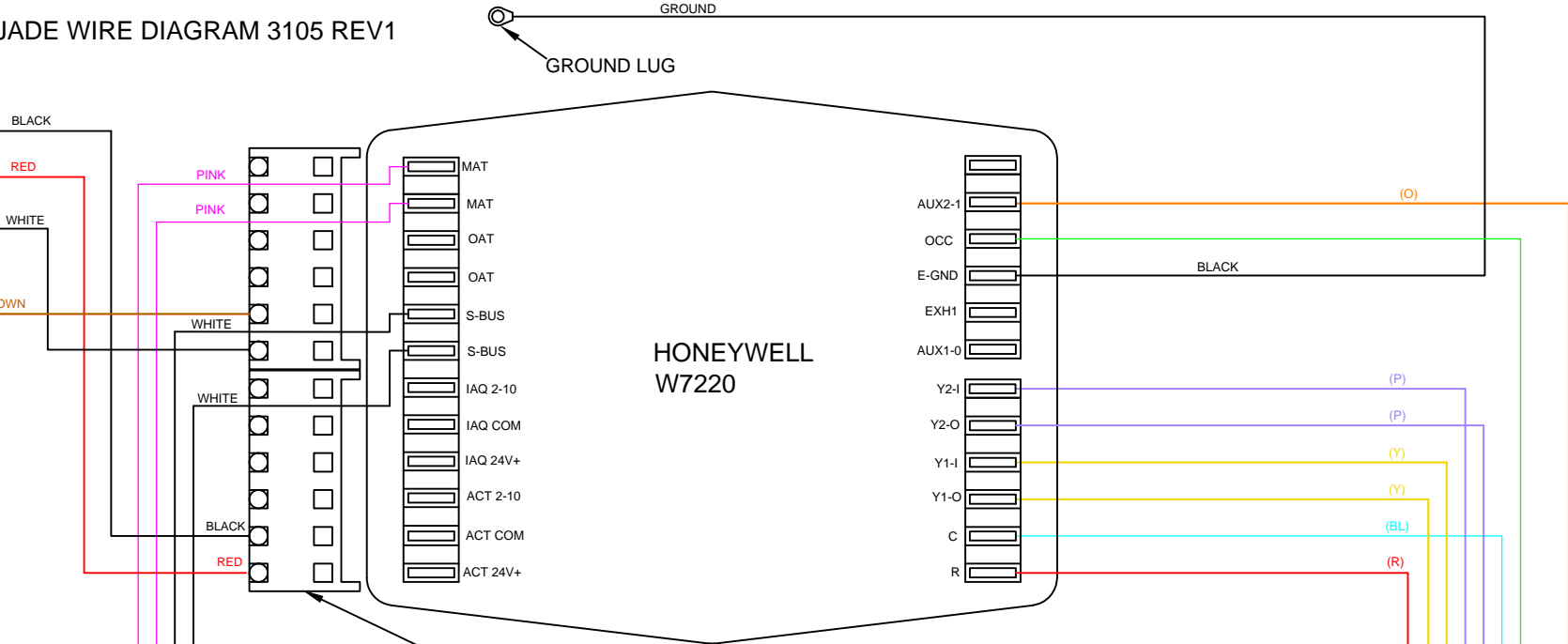
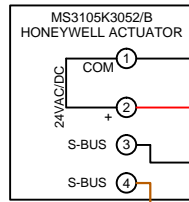


Installation

1. Remove plug from economizer wiring harness.
2. Install the economizer in the return duct with the flanged opening toward the equipment.
3. Connect the fresh air duct to the opening provided. The dampers for the fresh air opening are normally closed.
4. Connect the return air duct to the opening provided. The dampers for the return air opening are normally open.
5. Remove the control access panel from the economizer and the service panels from furnace.
6. Feed the economizer control wire up through the return to the control section of the unit.
7. Connect the wires using the diagram attached.
8. Install the C7400 enthalpy sensor in a location where the outdoor air enthalpy can be sensed.
9. Replace the access panel.

This product is warranted to be free from defects due to workmanship or materials, under normal use, for a period of sixty (60) months from date of installation.

MIXING BOX JADE WIRE DIAGRAM 3105 REV1



MOLEX 3597706**
50048926-002

