

# McDaniel Metals

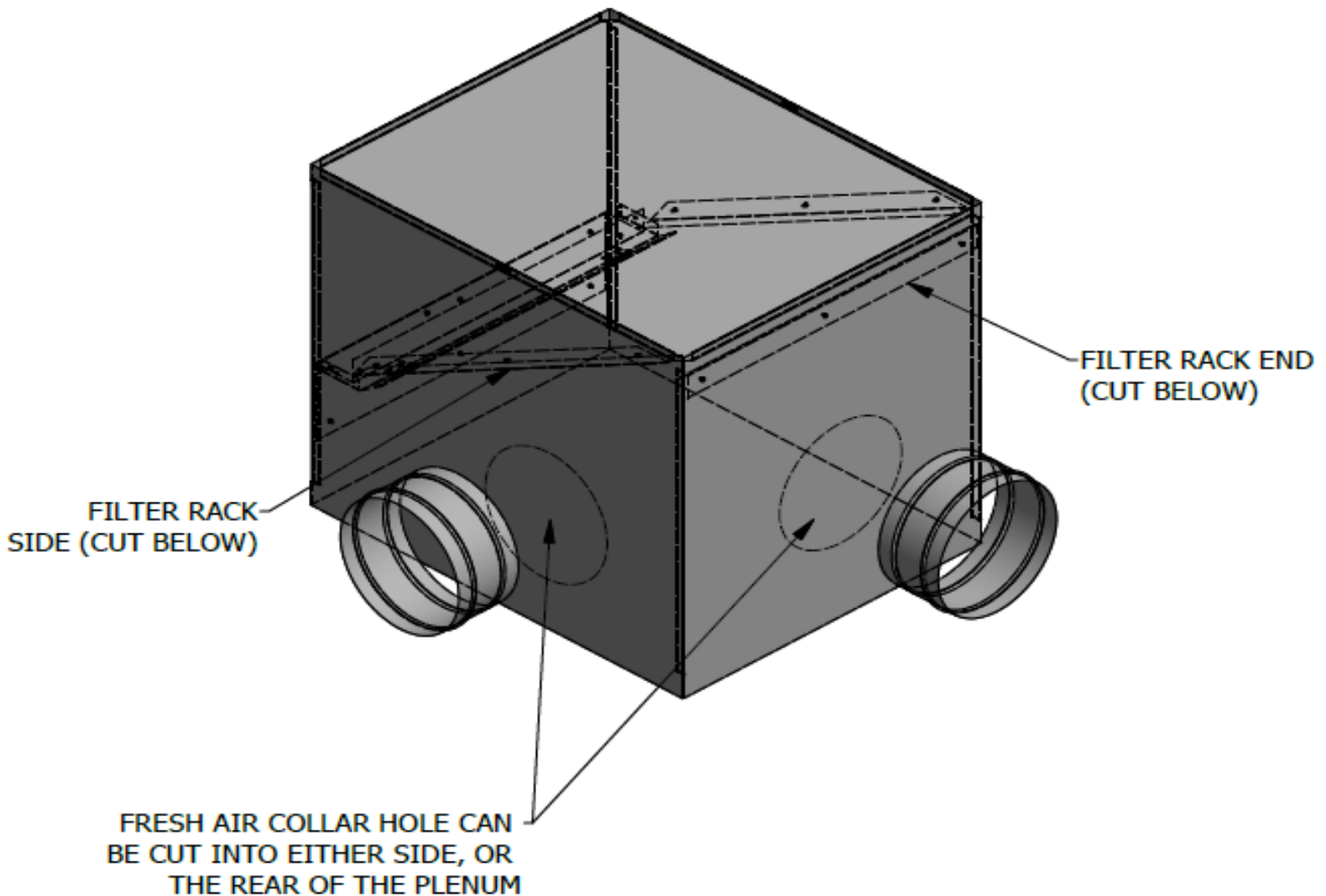
281-987-8400 • 281-987-9494 (fax)  
1318 Buschong, Houston, TX 77039  
www.mcdanielmetals.com

20X25X22DFT

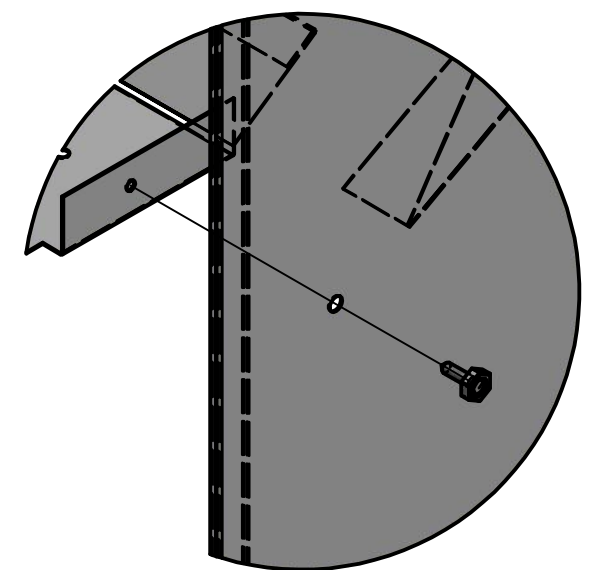
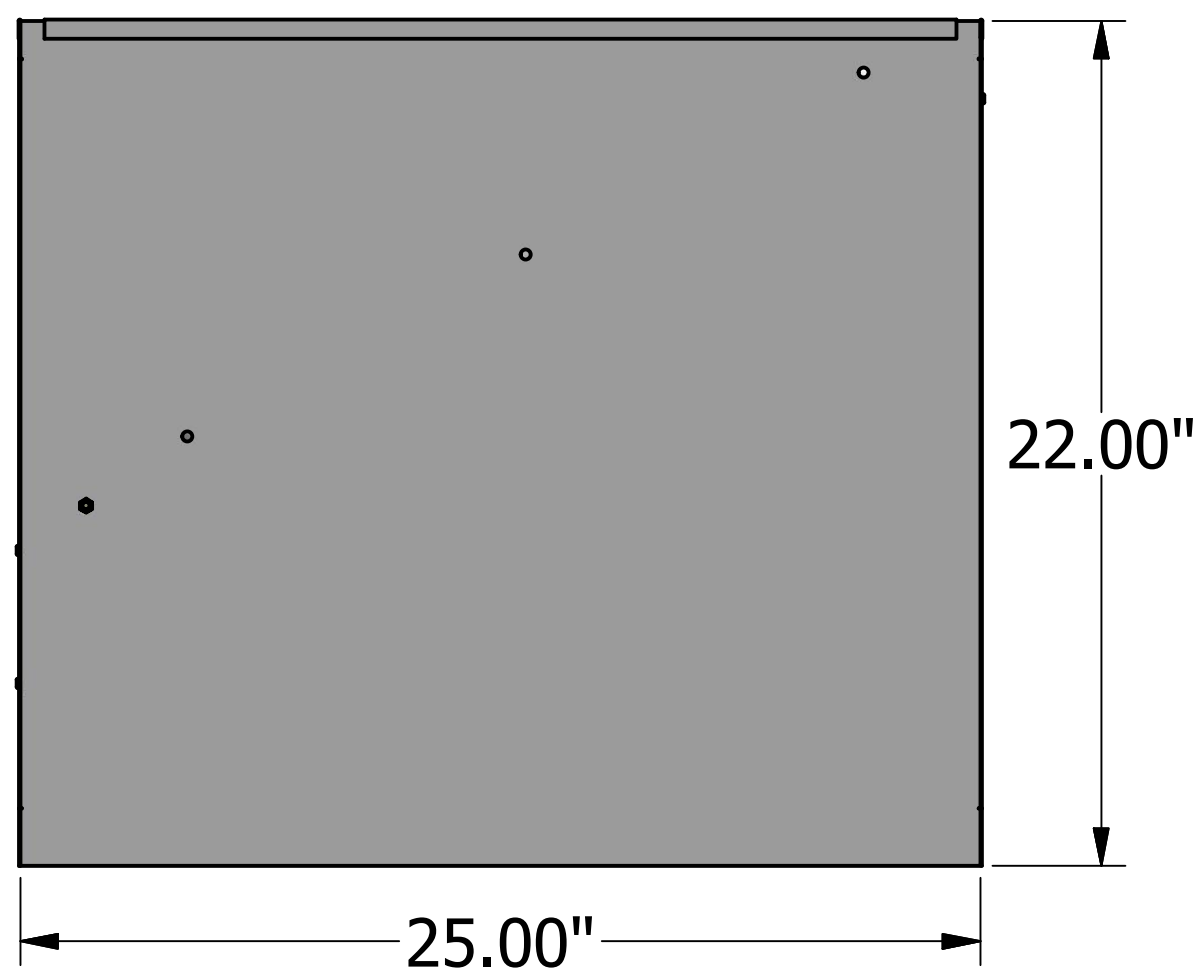
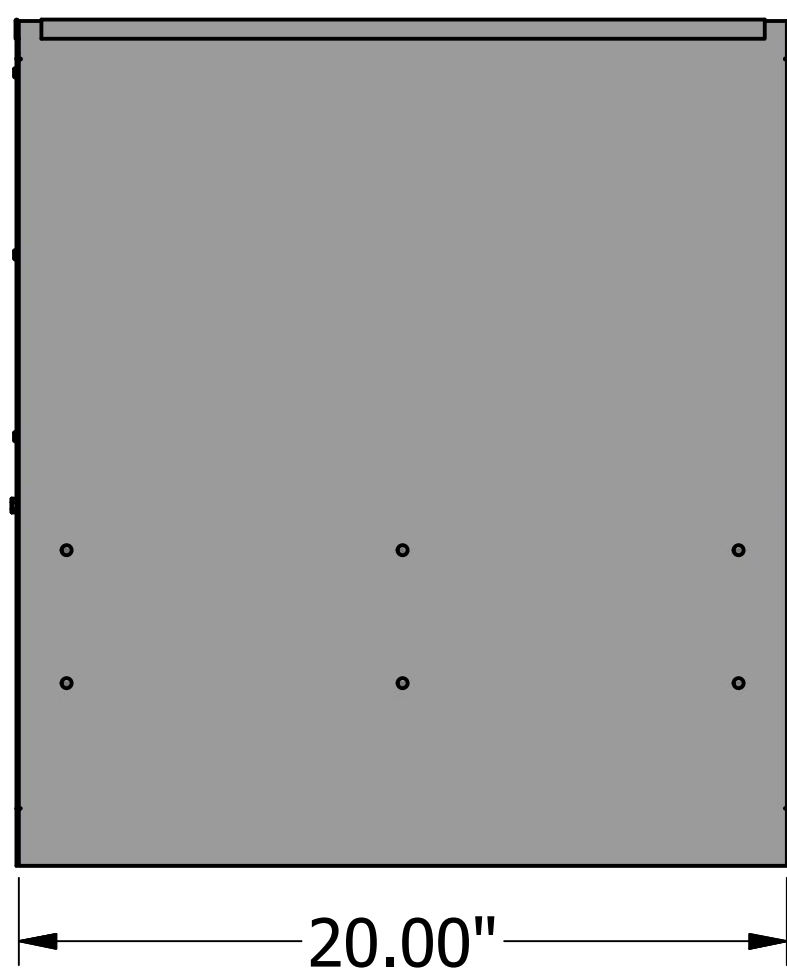
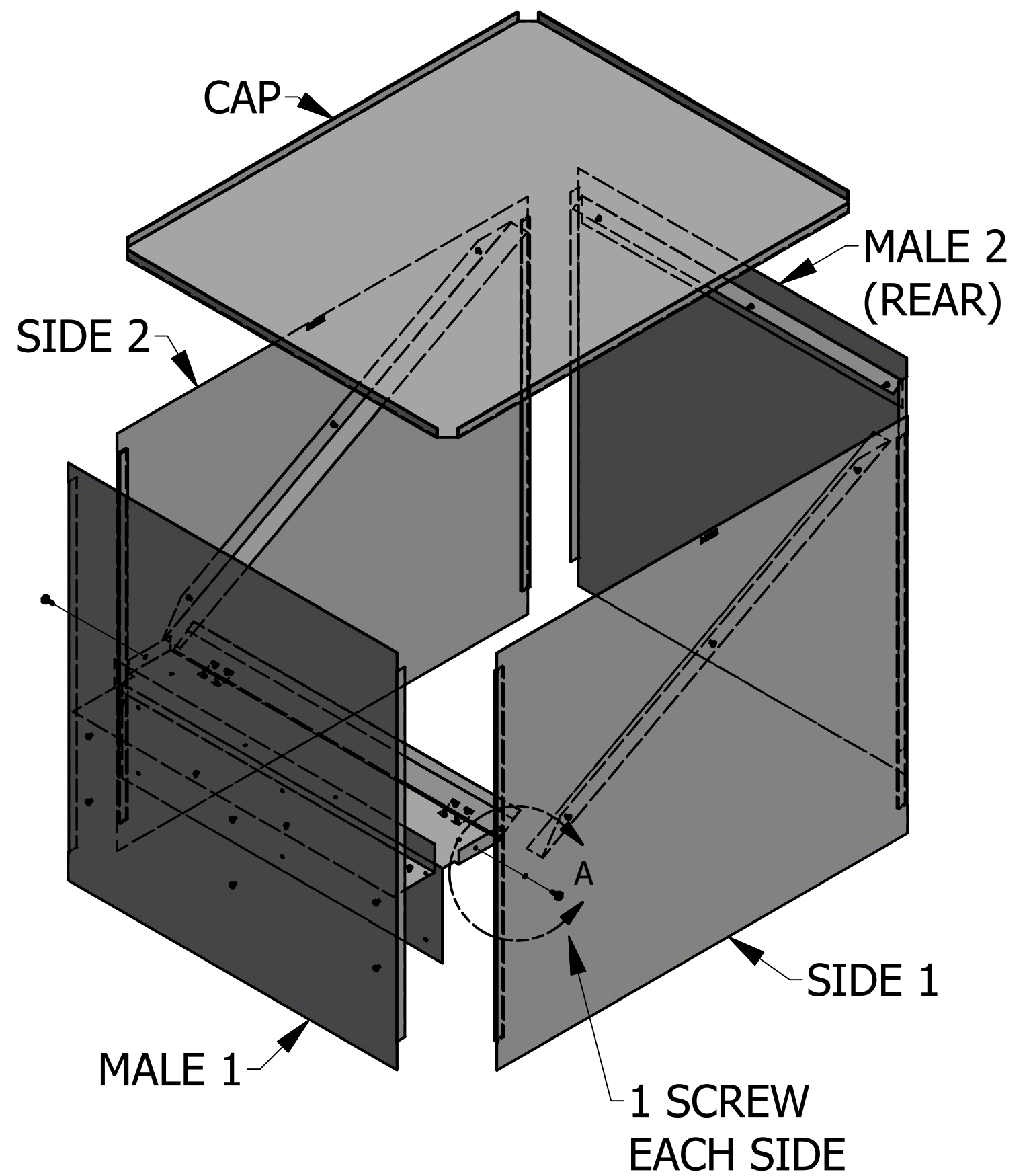
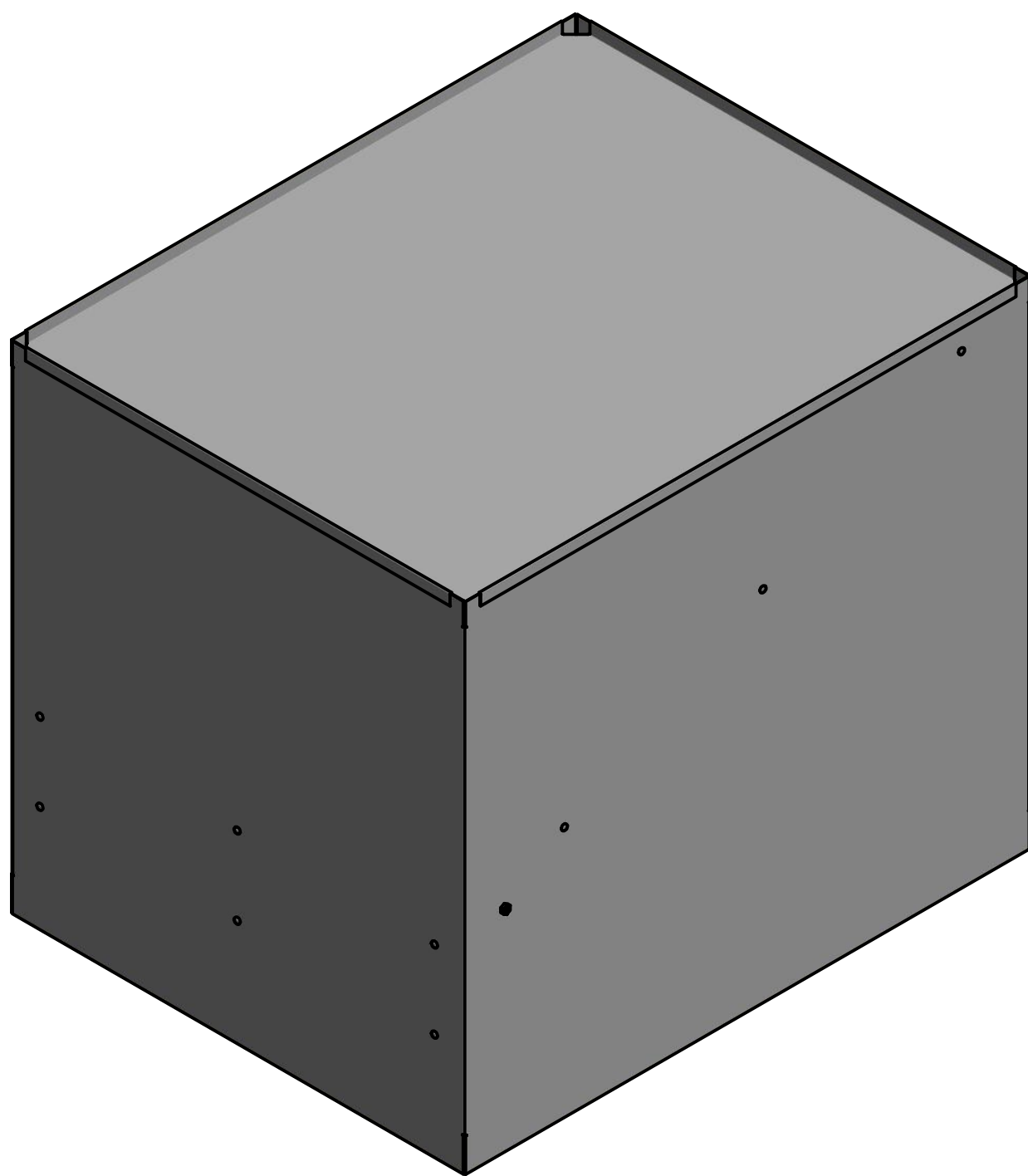
DUAL FILTER TECHNOLOGY PLENUM  
(USED TO INTRODUCE OUTSIDE FRESH  
AIR INTO AN ENCLOSED HVAC SYSTEM)



DUAL FILTER TECHNOLOGY PLENUMS PROVIDE A METHOD OF DRAWING FRESH OUTDOOR AIR INTO AN ENCLOSED SYSTEM, USING A COLLAR ATTACHMENT BELOW THE R/A FILTER, ALLOWING THE AIR TO BE FILTERED BEFORE ENTERING THE RETURN AIR STREAM.



1. ATTACH MALE 1 ASSEMBLY TO SIDE 1 ASSEMBLY AND SIDE 2 ASSEMBLY.
2. ATTACH MALE 2 ASSEMBLY TO SIDE 1 ASSEMBLY AND SIDE 2 ASSEMBLY.
3. SCREW SIDE TO INSIDE FILTER RACK ON BOTH SIDES. (DETAIL A)
4. ATTACH CAP TO TOP.
5. CUT HOLE IN REAR OR SIDE OF PLENUM FOR FRESH AIR INTAKE.



DETAIL A