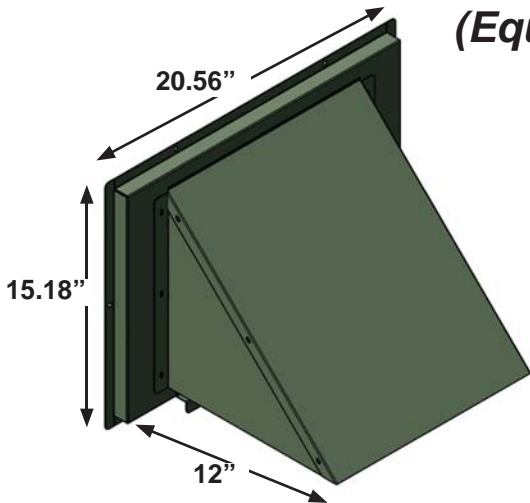


Rheem / Ruud / Weather King

110-RX-009

Manual Fresh Air Damper

(Equivalent to RXRF-FAA1)



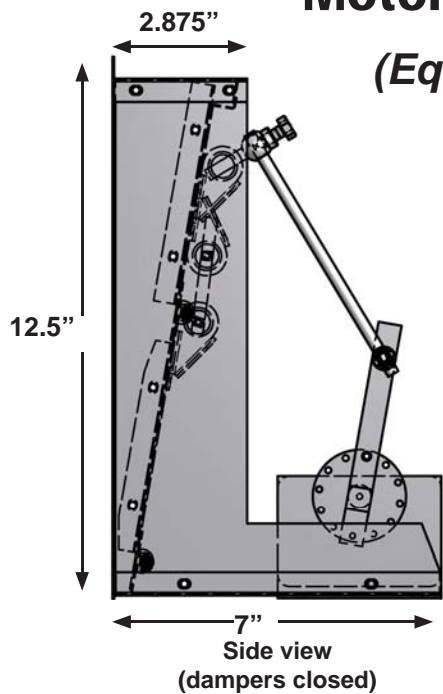
FEATURES

- 0-35% damper for residential pack, 2-5 ton
- No drilling or field assembly required
- Fully insulated
- Slide-damper controlled

112-RX-009

Motorized Fresh Air Damper

(Equivalent to RXRF-FAB1)



FEATURES

- 0-35% damper for residential pack, 2-5 ton
- No drilling or field assembly required
- Fully insulated
- Two-position control motor

McDaniel Metals

281-987-8400 • 281-987-9494 (fax)

1318 Buschong, Houston, TX 77039

www.mcdanielmetals.com



10/2011