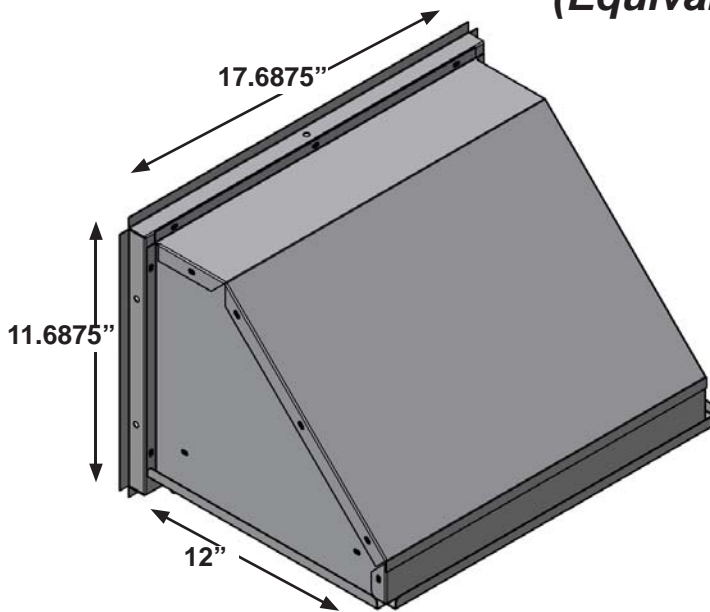


110-YX-002

Manual Fresh Air Damper

(Equivalent to 1FA0403)



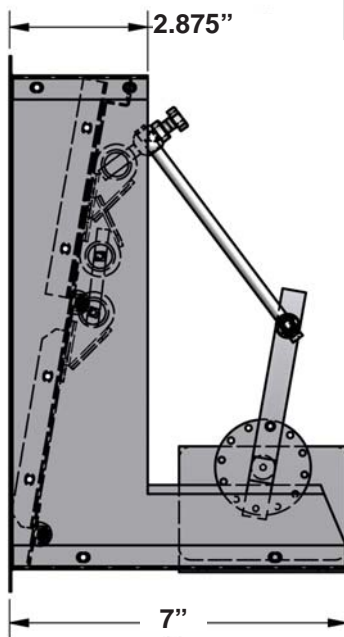
FEATURES

- 0-35% damper for Sunline 3-6 ton
- No drilling or field assembly required
- Fully insulated
- Slide-damper controlled

112-YX-002

Motorized Fresh Air Damper

(Equivalent to 2MD04700324)



Side view
(dampers open)

FEATURES

- 0-35% damper for Sunline 3-6 ton
- No drilling or field assembly required
- Fully insulated
- Two-position control motor

McDaniel Metals

281-987-8400 • 281-987-9494 (fax)

1318 Buschong, Houston, TX 77039

www.mcdanielmetals.com

