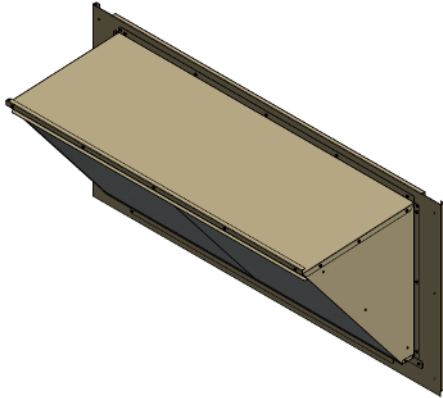


111-DK-090

0-50% MANUAL FRESH AIR DAMPER
FITS DAIKIN DB*/DR*/DF* 090-150
SANDSTONE BEIGE

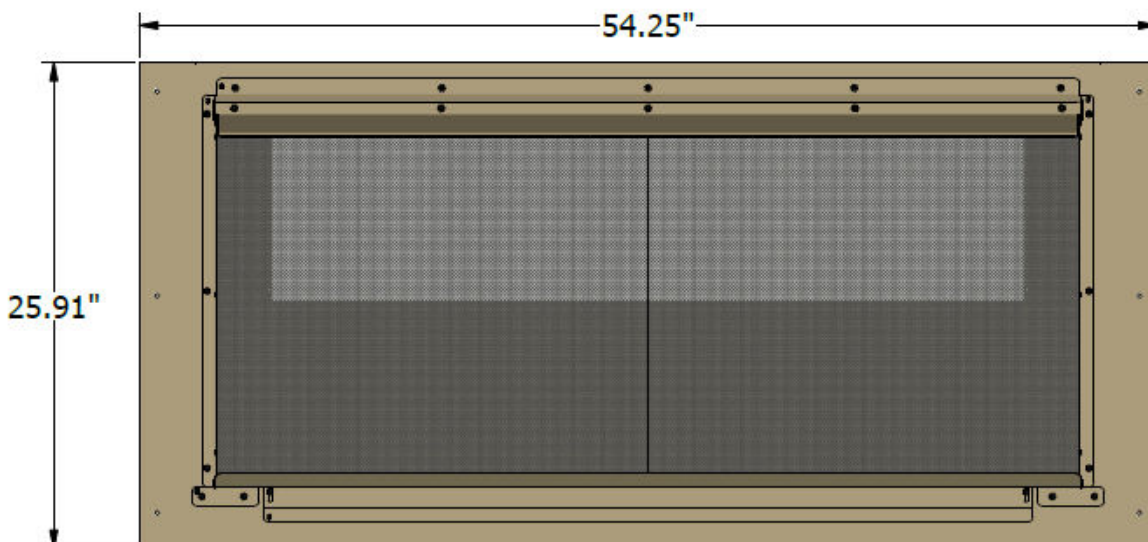
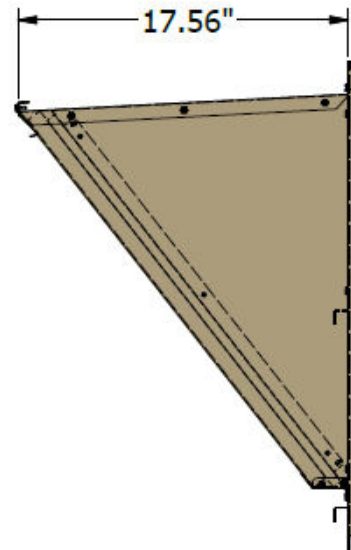


MOTORIZED FRESH AIR DAMPER INSTALLATION

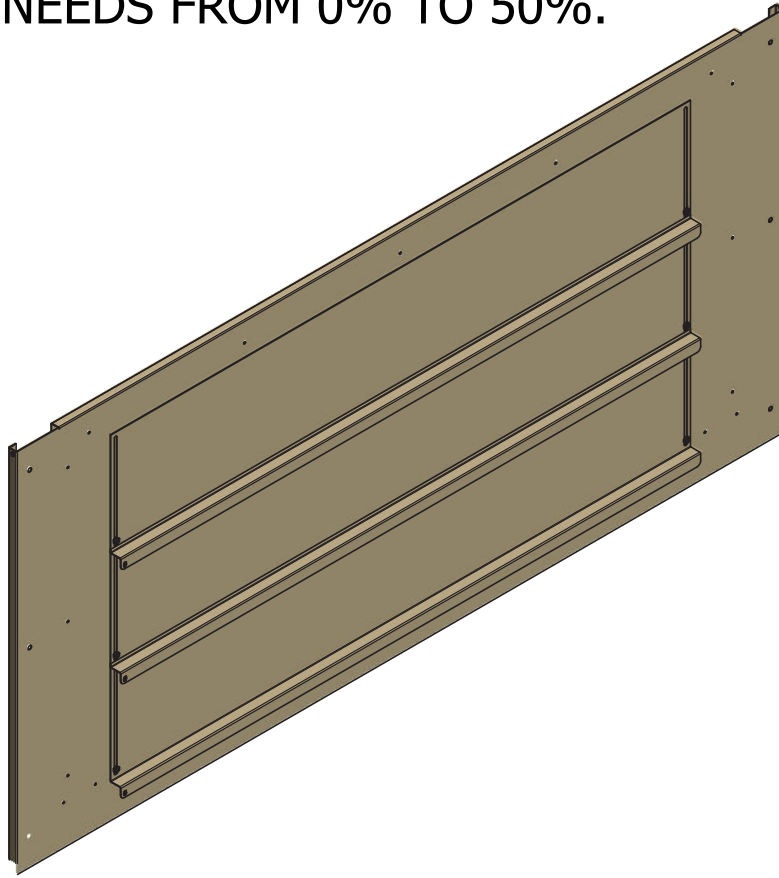
1. Remove the damper assembly from its container and inspect for damage.
2. Remove the filter access panels. Retain the top panel and the screws for use in the damper installation. (The lower panel may be discarded.)
3. Install the damper assembly where the lower panel was located using the screws in the previous step.

APPLICATION

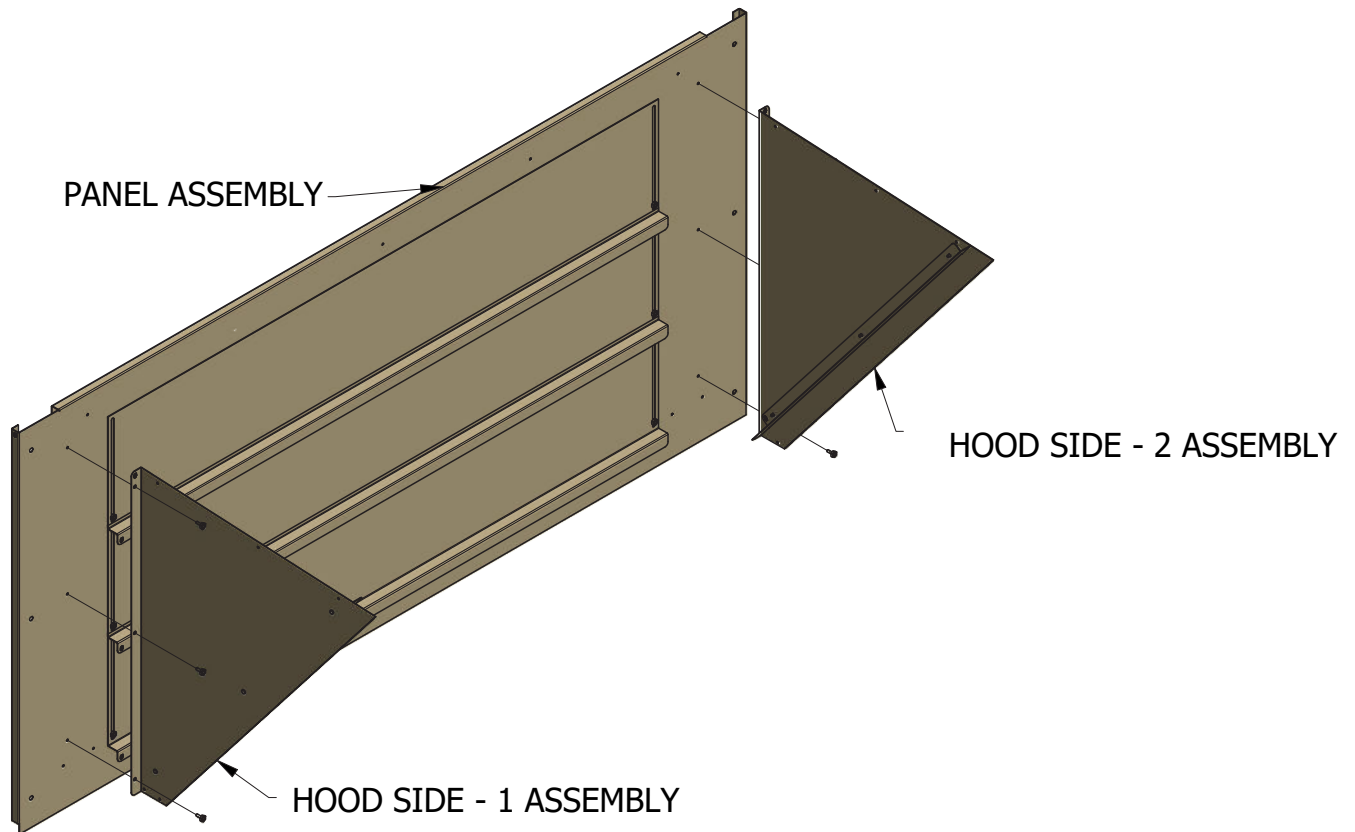
Most building codes require a certain amount of fresh air to overcome the effects of CO₂ during times when the space is occupied. Use of fresh air dampers on HVAC equipment is an inexpensive way to allow fresh air into the building. McDaniel Metals offers both a manual and motorized fresh air damper to fit Daikin light commercial packaged equipment. The manual fresh air damper is installed and fixed in place to allow a certain amount of fresh air to circulate at all times. The motorized fresh air damper includes an actuator that opens the damper when the indoor blower is running and closes the damper when the blower turns off.



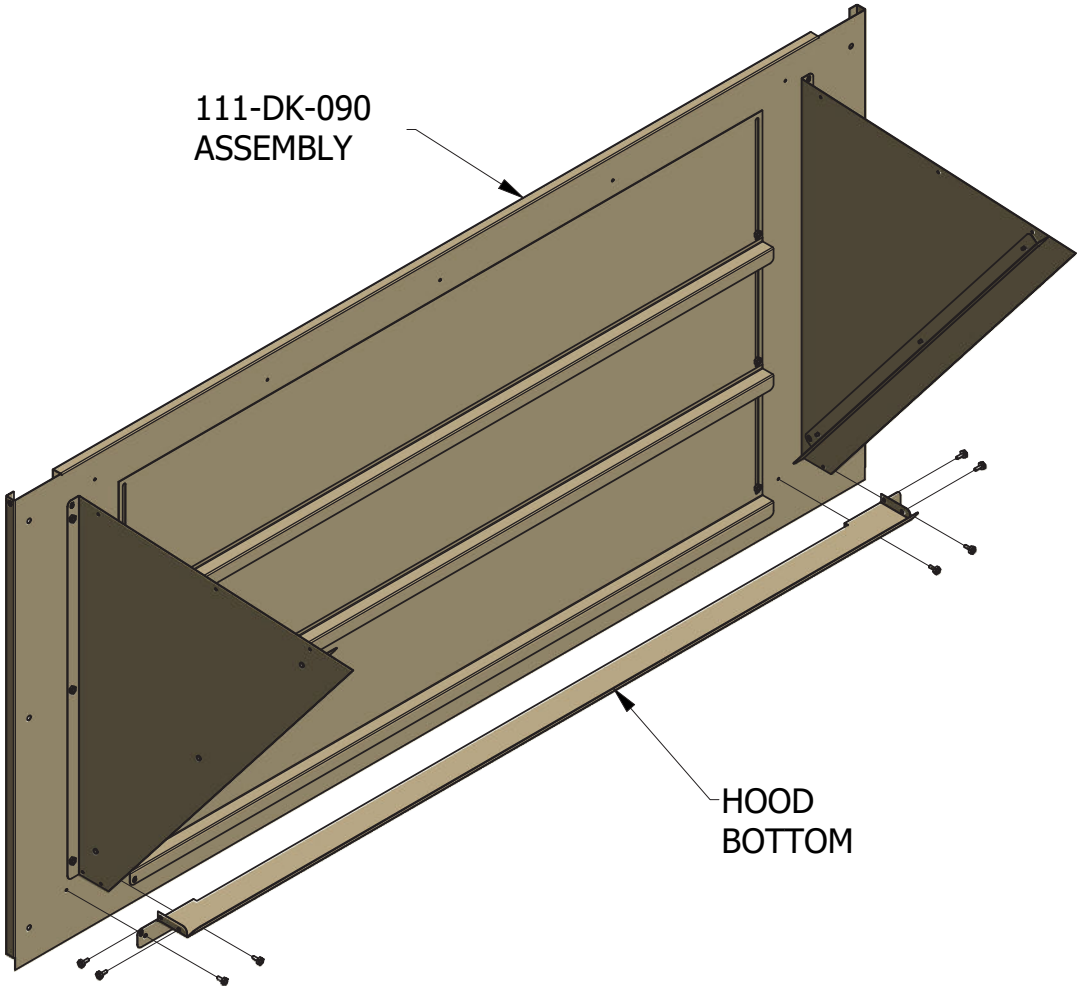
ADJUST THE DAMPER SLIDES TO ALLOW FOR YOUR
REQUIRED AIR NEEDS FROM 0% TO 50%.



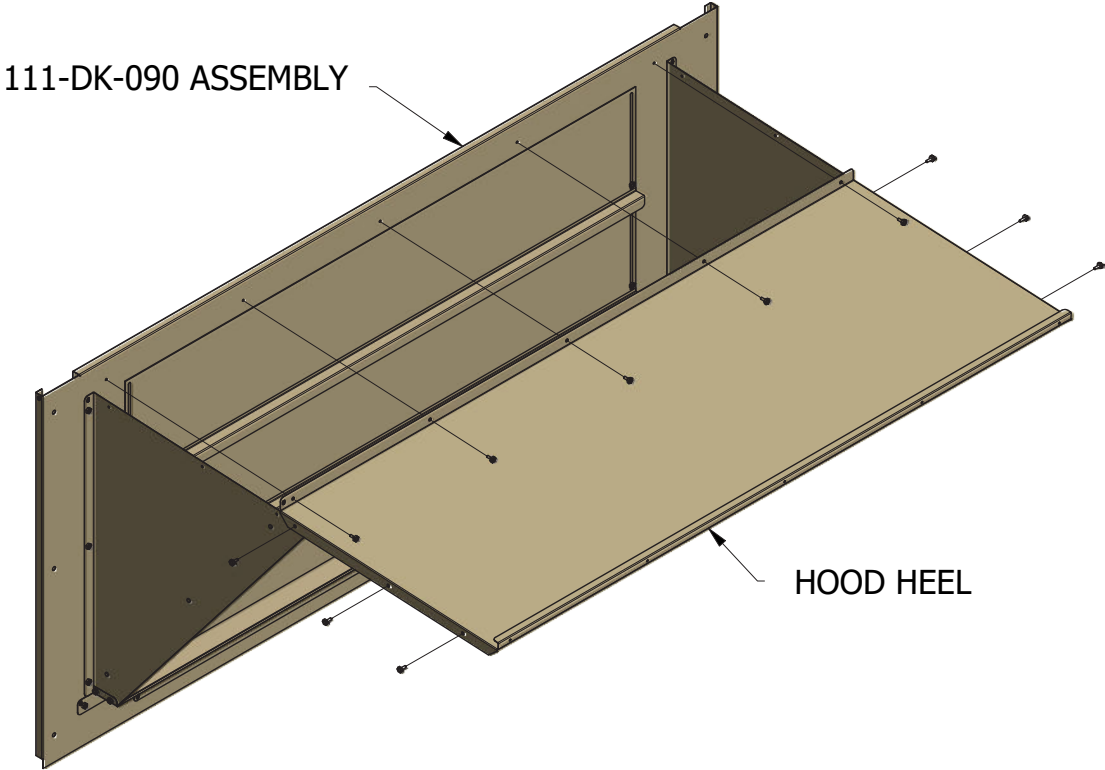
SCREW THE HOOD SIDE ASSEMBLIES TO THE PANEL ASSEMBLY AS
SHOWN.



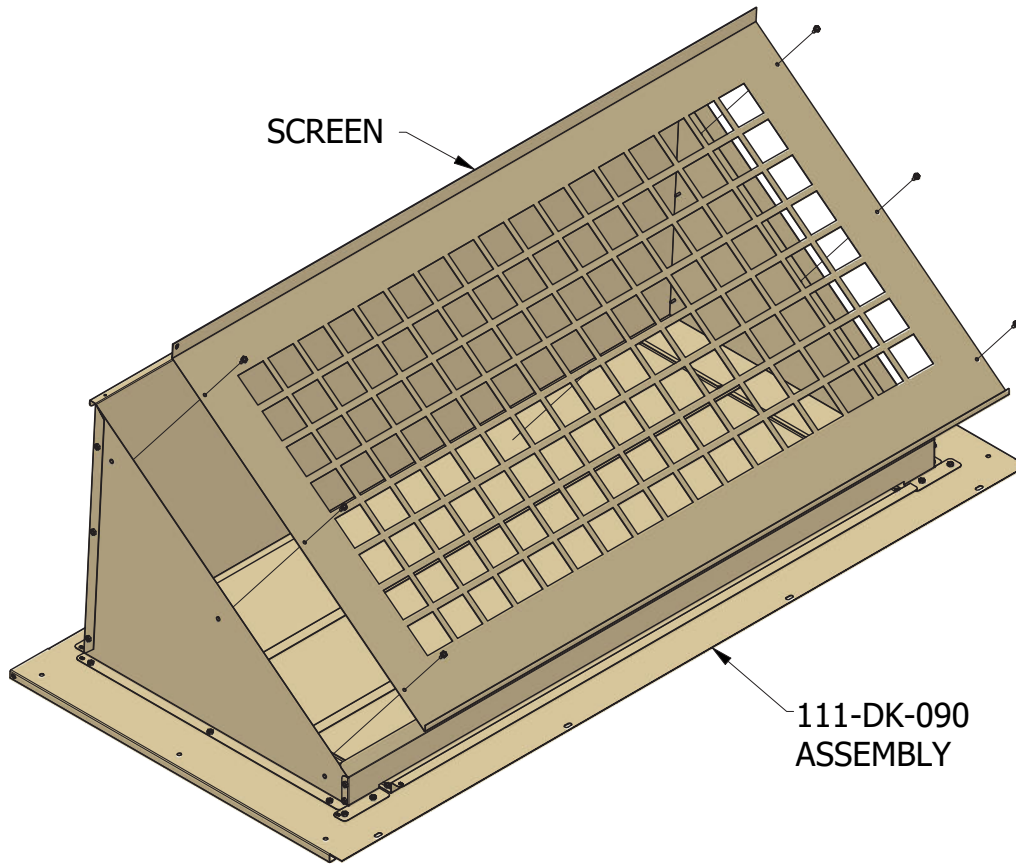
SCREW THE HOOD BOTTOM TO THE HOOD SIDES & PANEL, AS SHOWN.



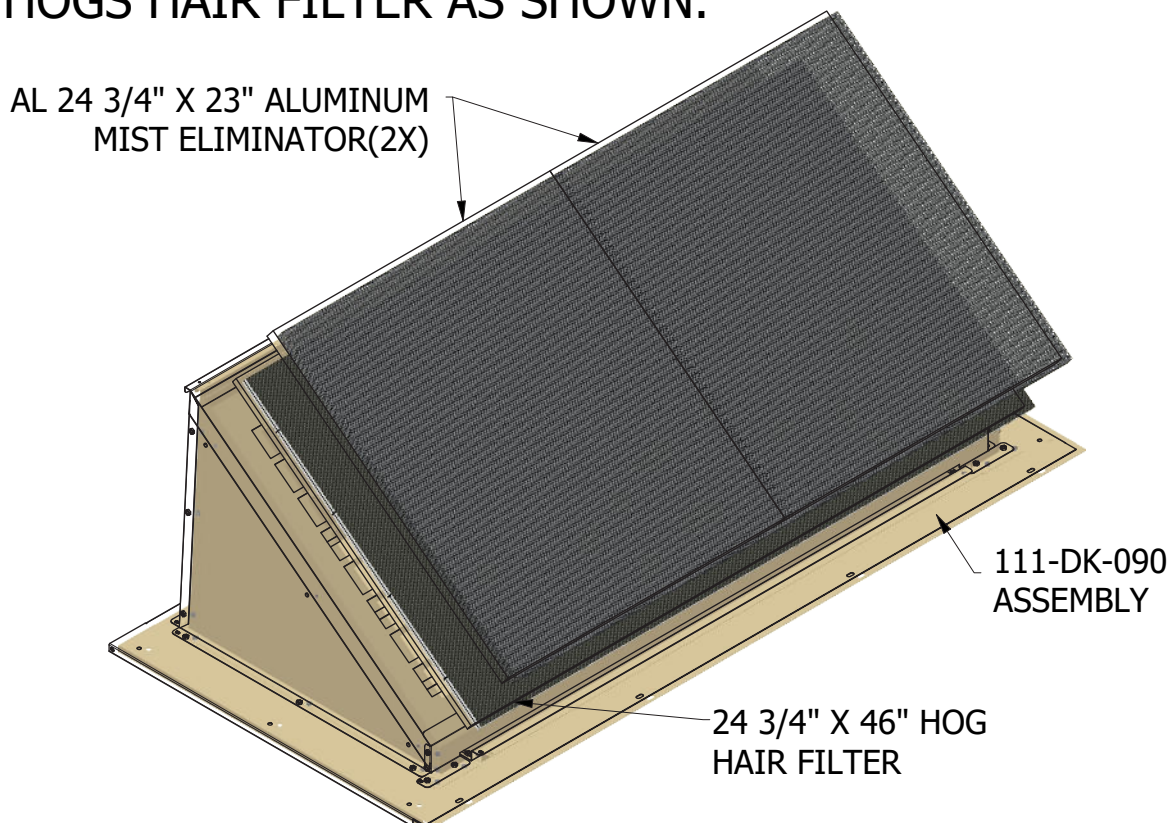
SCREW THE HOOD HEEL TO THE PANEL FIRST, THEN SCREW THE HOOD HEEL TO THE HOOD SIDES AS SHOWN.



SCREW THE SCREEN INTO PLACE ON THE FILTER ANGLES, AS SHOWN.



PLACE THE HOGS HAIR FILTER INTO THE HOOD AGAINST THE FILTER SCREEN AS SHOWN.
PLACE THE TWO MIST ELIMINATORS INTO THE HOOD AGAINST THE HOGS HAIR FILTER AS SHOWN.



SCREW THE HOOD FILTER ACCESS TO THE HOOD HEEL, AS SHOWN.
SCREW THE ENTIRE ASSEMBLY TO THE RETURN OPENING, HOLES
ON PANEL WILL ALIGN TO HOLES ON UNIT.
RE-INSERT THE FILTER ACCESS PANEL ABOVE THE 111-DK-090.

