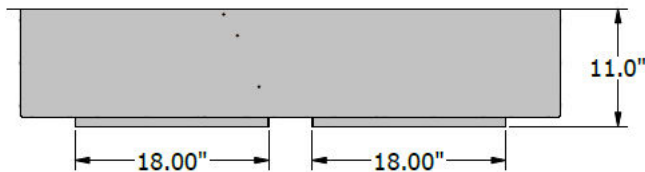
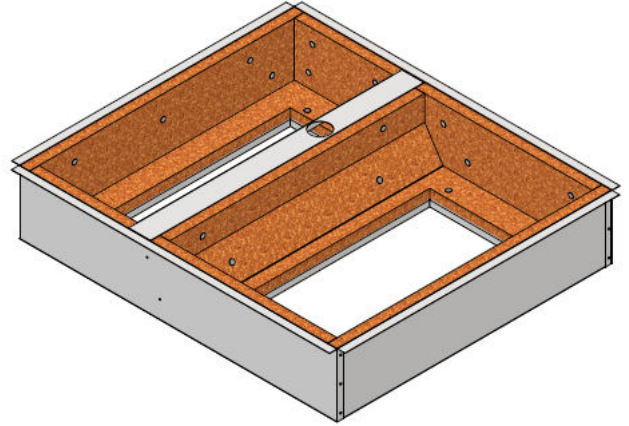
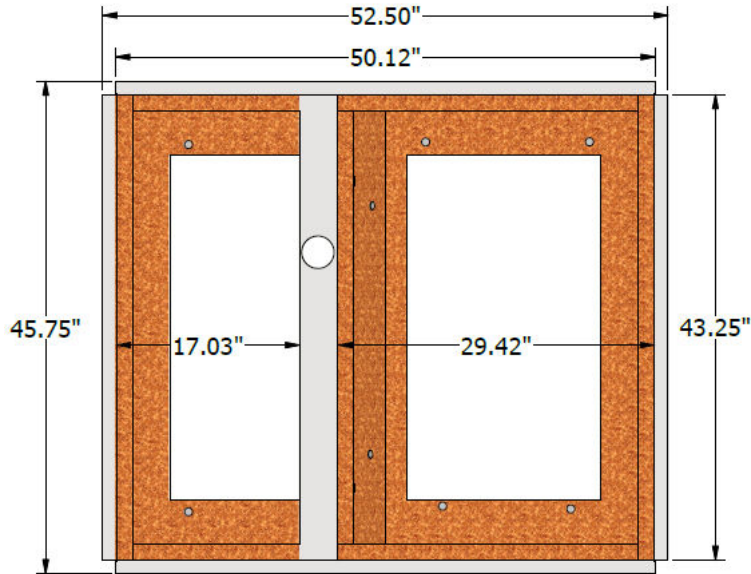


160-DK-090-18X32

CONCENTRIC CURB TRANSITION
FOR DAIKIN DBC150, DBG150,
AND DBH150



Installation

1. Inspect the transition for damage.
2. Remove the duct supports as shown.
3. Install transition in the Supply/ Return opening of curb.

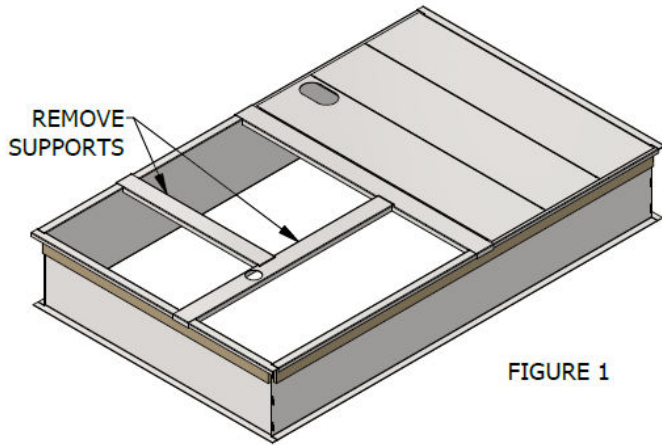


FIGURE 1

REMOVE THE 2 DUCT SUPPORTS
SHOWN IN FIGURE 1, AND PLACE
THE SQUARE TO ROUND IN ROOF
CURB. CHECK DIMENSIONS IN
FIGURE 3 BEFORE PLACING RTU ON CURB.

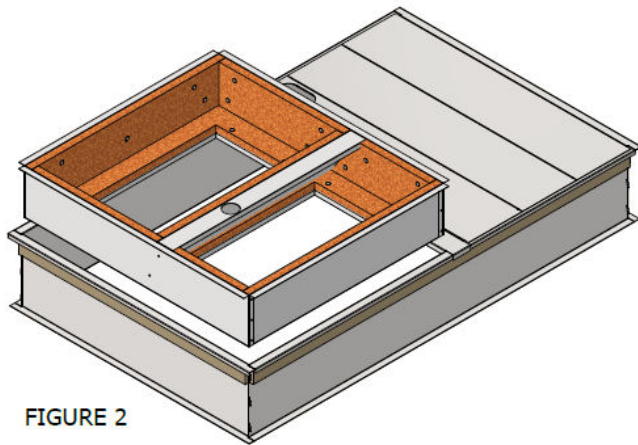


FIGURE 2

